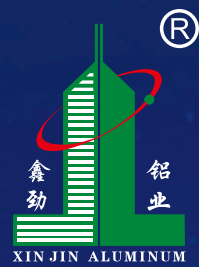


# INDUSTRY LEADERS BEYOND THEIR DREAMS

FOSHAN XIN JIN ALUMINUM CO.,LTD



FOSHAN XIN JIN ALUMINUM CO.,LTD  
ADD: No. 19, Chen Heyuan Industrial Zone, Shayongxiasha Industrial Zone,  
Lishui Town, Nanhai District, Foshan City



FOSHAN XIN JIN ALUMINUM CO.,LTD

**Corporate Philosophy:**

Responsibility is the guarantee of quality; Quality is the life of a brand

**Enterprise purpose:**

To provide customers with high-quality products and excellent service

**Corporate Objectives:**

Focus on the brand, go international, and contribute vitality to global architectural innovation

# CONTENTS

## Company Introduction

- 001 Company profile
- 002 Corporate honor
- 004 Enterprise architecture

## Product Content

- 006 Raw material warehouse
- 008 Fluorocarbon resin PVDF principle
- 010 Sheet metal process
- 012 Spraying process
- I 014 Personalized aluminum veneer**
  - 015 Aluminum veneer
  - 016 Skeleton series
  - 020 Brushed series
  - 021 3D painting series
  - 022 Imitation wood grain series
  - 023 Imitation stone pattern, real stone paint series
  - 024 Embossed series
  - 025 Porcelain series
  - 026 Mirror series
  - 027 Anodized series
  - 028 Nano (Self-Klinin) Serris
  - 029 Special-shaped, hyperboloid series
- II 030 Aluminum alloy composite panel**
  - 031 Aluminum honeycomb panels
  - 035 Veneer/bamboo veneer/stone/other aluminum honeycomb panels
  - 036 Aluminum corrugated board
  - 037 Aluminum mesh panel
  - 038 Thermal insulation aluminum plate
  - 039 Aluminum-plastic panels
- III 040 Diverse ceiling ceilings**
  - 041 Hook-up ceiling series
  - 042 U-shaped square tube ceiling series
  - 043 Grille ceiling series
  - 044 Fangtong ceiling, fangtong barrier series
  - 045 Round tube ceiling, round tube barrier series
  - 046 Hanging sheet, water drop ceiling series
  - 047 Strip buckle ceiling series
  - 048 Bright frame ceiling series
  - 049 Dark shelf ceiling series
  - 050 Sound absorption system
- IV 052 Aluminum shape customization**
  - 054 Aluminum air conditioning cover series
  - 056 Shuttle-shaped shade series

## Project examples

- 060 Examples of indoor and outdoor projects
- 083 Recent engineering cases
- 083 Partial list of projects

## Company profile

Foshan Xinjin Aluminum Industry Co., Ltd., formerly known as Nanhai Jinjin aluminum building materials, is a brand building materials enterprise expanded for national large-scale key projects and high-end market due to the needs of enterprise development and market positioning. The company is located on the Bank of the Pearl River and the hinterland of the Pearl River Delta - Nanhai Lishui, close to Guangfo Expressway and Foshan first ring road, with very convenient transportation. The company is a large modern enterprise specializing in the production of indoor and outdoor metal curtain wall panels, metal ceilings and aluminum alloy honeycomb panels. It is a comprehensive metal building materials production enterprise integrating design, production, sales and installation. From engineering design to product production inspection, construction, installation and service, it implements strict control and management according to ISO9001:2000 quality assurance system.

The company is a famous manufacturer of metal curtain wall (aluminum veneer), aluminum alloy honeycomb composite plate, metal ceiling (metal ceiling), and supporting products in China. Establish close cooperation with many domestic and foreign enterprises such as Germany, South Korea and Italy; It is committed to the R & D, manufacturing and sales of aluminum magnesium alloy construction engineering, metal ceiling and supporting products. It has strong professional and technical strength, and has a production, installation and marketing team with good management and exquisite technology, which has a high reputation in the industry.

The company has long adhered to the business philosophy of "quality first, integrity first, first-class service" and wholeheartedly built a high-quality brand. The company has advanced automatic spraying equipment, the most advanced temperature control furnace, liquefied gas combustion system and German pre-treatment technology, CNC laser shearing machine, CNC bending machine, CNC cutting machine and tower CNC punch. It has an annual production and processing capacity of more than 800000 square meters of fluorocarbon sprayed aluminum veneer (metal curtain wall panel) and more than 500000 square meters of metal ceiling. It can be called a strong technology and large scale among its domestic peers, Enterprises with complete functions, advanced equipment and good service. The company has successfully designed and built more than 100 projects, and has been highly praised by users with excellent product quality and high-quality service.

"Details reflect professional and professional casting quality" is the company's consistent quality concept, and we will wholeheartedly provide you with higher quality products.

# HONOR ENTERPRISE



纳税人识别号	评价等级	评价日期	评价机构
4403011000000000	A	2021年12月31日	国家税务总局佛山市税务局



## Raw material warehouse



Our company has sufficient raw materials all year round, equipped with advanced CNC equipment, can carry out high-precision cutting, cutting and distribution according to the size requirements of aluminum plates, and improve the utilization rate of raw materials; Reduced attrition rates, resulting in lower production costs; At the same time, it can also provide high-quality after-sales service.



## Aluminum alloy plate materiality

This standard specifies aluminum and aluminum alloy single-layer forming panels for curtain walls sprayed with fluorocarbon (polyvinylidene fluoride) paint, which are suitable for aluminum veneer for aluminum curtain walls with fluorocarbon spraying on the surface.

Aluminum alloy model	Tensile strength	Yield strength	Elongation %	Bend inner radius (thickness 2mm)
A3003H24	210-265	180	4以上More Than 4	R=2mmX2
A3004H24	220-265	170	4以上More Than 4	R=2mmX1.5
A1100H24	110-136	50	3以上More Than 3	R=2mmX1
A1050H24	100-145	80	4以上More Than 4	R=2mmX1
A1200H24	110-150	90	4以上More Than 4	R=2mmX1
A5052H24	230-280	180	5以上More Than 5	R=2mmX2.5
A3005H24	165-215	135	3以上More Than 3	R=2mmX1.5
A5754H24	220-270	140	6以上More Than 6	R=2mmX1.5

The first digit after the H represents how the plate is handled

-Direct annealing (first hot rolling - then cold rolling) -Quenching (first hot rolling - then cold rolling) - baking paint (back) then pressurization, heating From H14-H34 after rolling coating of the plate are turned The first 4 digits represent the alloy type of 4H

### The second digit after H represents the hardness of the plate

2-25% hardness (1/4 hardness) 4-50% hardness (1/2 hardness) 6-75% hardness (3/4 hardness) 8-100% full hardness (1 hardness)

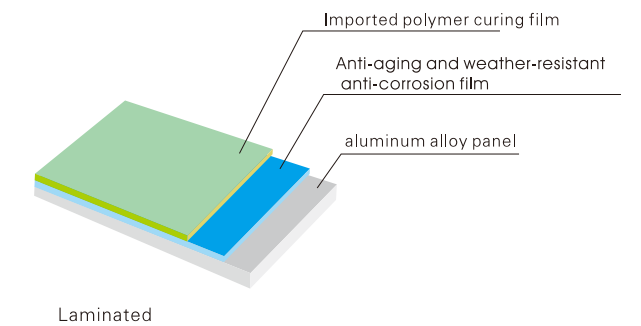
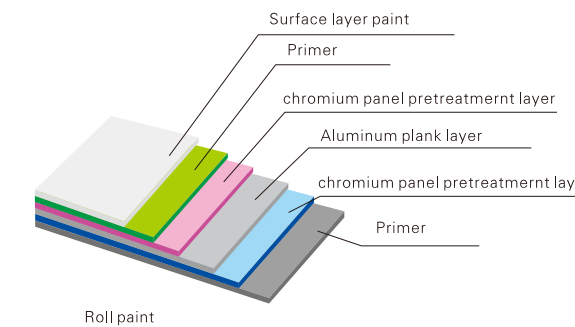
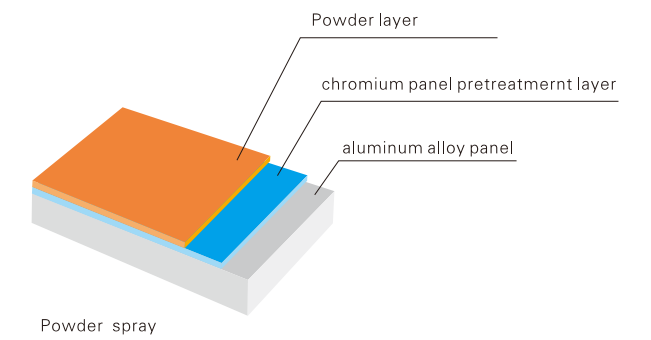
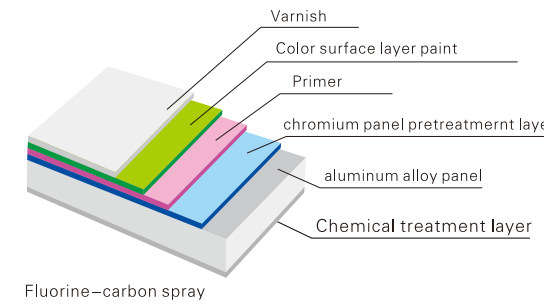


## Fluorocarbon resin PVDF principle

The fluorocarbon resin PVDF used in the product is a polyvinylpyridone that replaces part of the hydrogen atom with fluorine atoms in the aliphatic hydrocarbon molecular structure, (Polyvinyl Pyrrolidone) has the largest negative charge of fluorine (F) thickons and carbon (C) atoms between fluorine-carbon bonding force is higher than 105.4kcal/mol, which means that it takes at least 105.4kcal/mol of energy to destroy the fluorine-carbon bond. The fluoro-carbon binding distance is 1.36A, which is shorter than the carbon-carbon bonding distance of 1.54A. Due to the three-dimensional obstruction caused by fluorine atoms, its structure is very tight, and it is difficult to destroy the combination of fluorine and carbon.

HYLAR5000 is a trademark of PVDF resin registered by AUSMONT Corporation of the United States.

KYNARSDO is a trademark of PVDF resin registered by Atochem Norly Americo, Inc. of the United States.



Choose high-quality paint brands



PPG Industrial Group



AkzoNobel



KFCC



KGE



TIGER

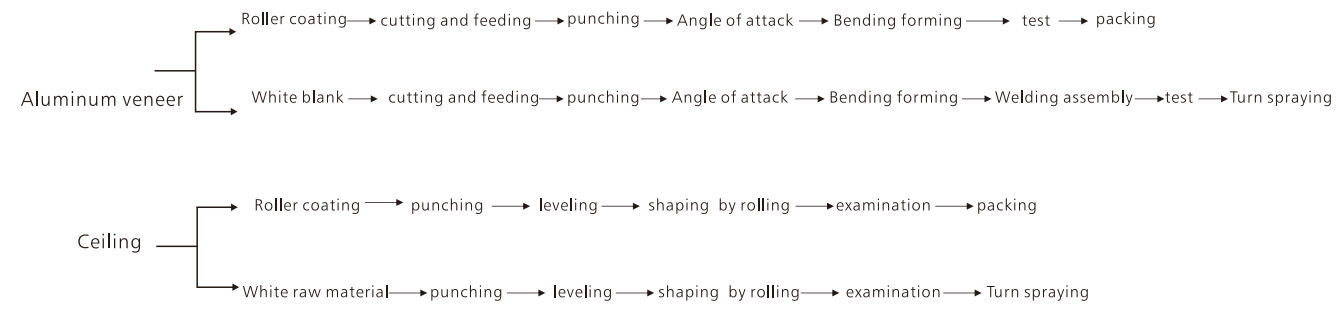


## Implementation standards of fluorocarbon spraying aluminum veneer

Test items	Test content	Technical requirement	
Geometric dimension	Length and width dimensions	≤2000mm, Allowable deviation ± 1.0mm >2000mm, Allowable deviation ± 1.5mm	
		≤2000mm, Allowable deviation ± 3.0mm >2000mm, Allowable deviation ± 3.0mm	
	Flatness	Allowable difference ≤ 1.5mm/m	
	Average dry film thickness	Second coating ≥ 30um, Three coatings ≥ 40um, Four coatings ≥ 55um	
	chromatic aberration	Visual inspection of no obvious color difference or monochromatic paints is tested with a computerized chromatic aberration ΔE ≤ 2NBS	
Fluorocarbon coating	gloss	The error of the limit value ≤ ± 5	
	Pencil hardness	≥ ± HB	
	Dry adhesion	Zoning、100、100、达0级	
	Impact resistance (frontal impact)	50Kgf.cm(490N.cn), No cracks and no paint removal	
	Chemical resistance	Resistant to hydrochloric acid	15 minutes drip, no bubbles
		Nitric acid resistant	Color variations ΔE ≤ 5NBS
		Mortar resistant	No changes 24 hours a day
	Corrosion resistance	Resistant to detergents	72 hours without bubbles and without shedding
		Resistant to moisture	4000 hours up to GB1740 or above
	Weather resistance	Resistant to salt spray	4000 hours up to GB1740 or above
		fade	20 years later, ΔE ≤ 5NBS
		Chalking	20 years later, GB1766 Level
Gloss retention		20 years later, Retention rate ≥ 50%	
	Loss of film thickness	20 years later, Film thickness loss rate ≤ 10%	

# SHEET METAL PROCESS

## Sheet metal operation process



## Efficient assembly line production



Cutting and feeding



Hole punching



Welding



Bending forming



Grinding



Assembly



Turn spraying

Polishing

## Production automation

The production automation can maximize the work efficiency and reduce the errors caused by manual labor, thus improving the product quality and reducing the production cost. So we constantly introduce advanced production technology and production equipment at home and abroad, continuously perfect production management system at home and abroad for reference, at the same time, make fully use of our production efficiency and the constantly improve, can ensure product quality long-term stability and more ascension.

# SPRAYING PROCESS

The PVDF painting line of ours, building material co., Ltd., is the topnotch hall-closed CNC continuous auto line, which adopted the overseas state-of-the-art equipment. ASTM standard. Suspension chain conveyor is equipped; in the watercurtain spraying room three sets of computerized Ransburg electrostatic spray guns are in place; the baking oven is heated by proportional US burner. The Sheen oven temperature tracker and Minolta spectrometer are configured for on-line inspection. Therefore it is a highly automated line. The coating complies with AAMA 26505 standard. PVDF aluminum panel can be stored for 15 years under normal outdoor condition.

**1st coating: color top coating**

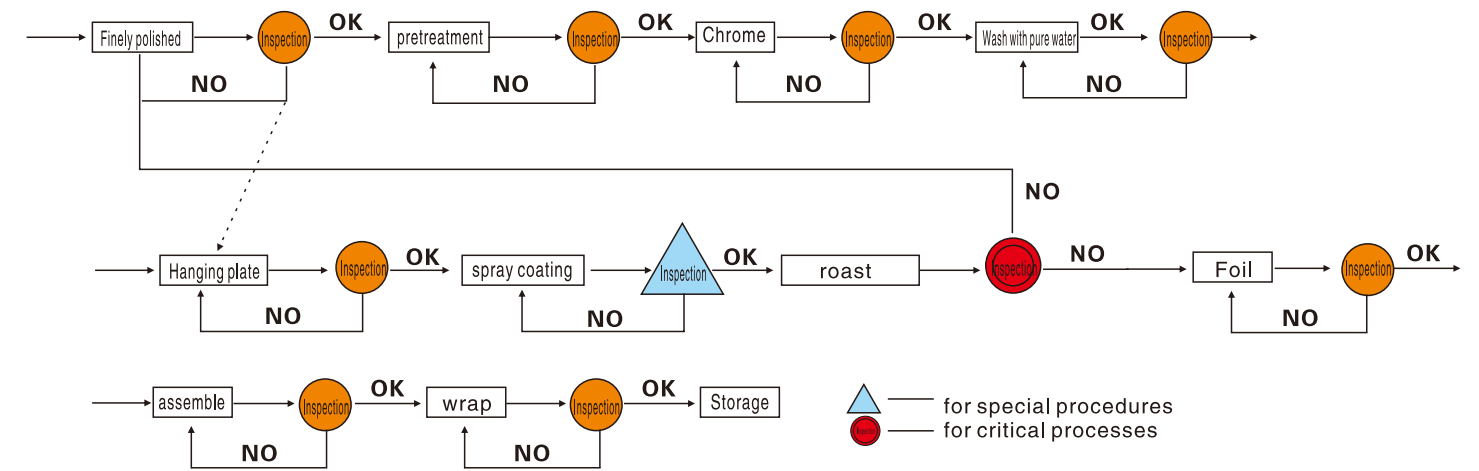
**2nd coating: spray primer + face color coating**

**3rd coating: Flass premer - Color top costing + top clear coating**

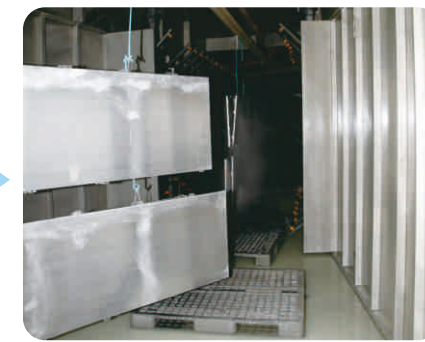
**4th coating: primer+ separation coating+color top coating+ top coating(protecting paint)**



## Spraying process



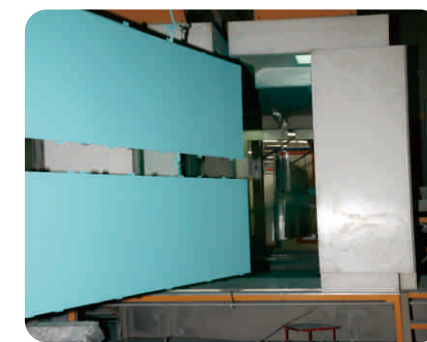
Pendant



Pickling



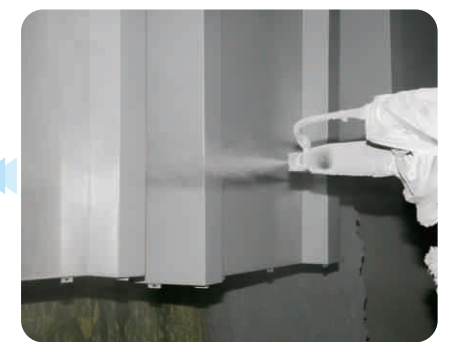
Primer spraying



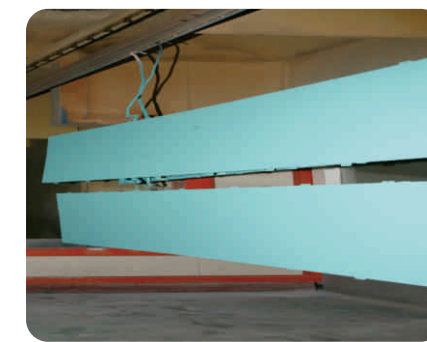
Solidification



Leveling



Spray finish



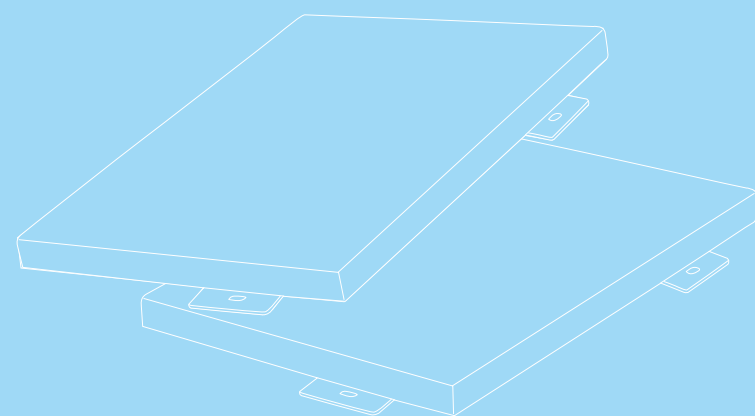
Next piece



Packing



Warehousing



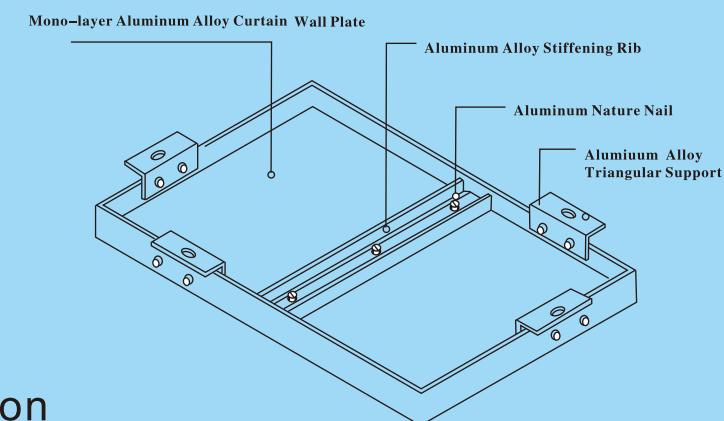
## Personalized aluminum veneer

Single-aluminum panel is a kind of depth processing series among the modern aluminum building material, It has the advantage of light weight, fine rigidity, high strenght; good weather and corrosion resistance; fine processing technics. may weld strongly, can be made to flat shape, arc shape and sphere shape etc; wide optional color, good decoration effect; super pollution resistance, easy to clean and quick to if and can be recycled. good for protecting environment, It fits for decorating the exterior wall of high-building, girder and columniation, balcony, clapboard interior decoration etc. it is received deeply by the most customers.

## PERSONALIZED ALUMINUM VENEER

ALUMINUM VENEER

## Single-layer aluminum alloy curtain wall panel component drawing

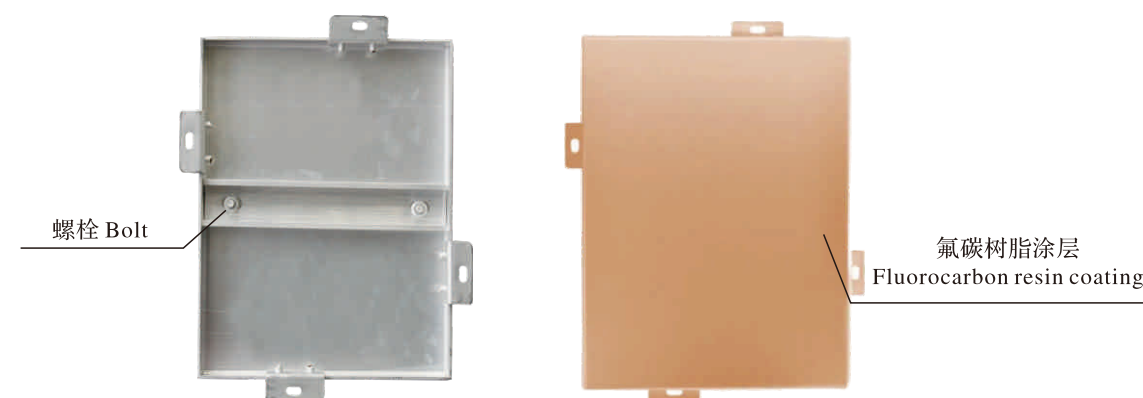


## Material and construction

The curtain wall aluminum veneer is made of high-quality high-strength aluminum alloy plate, its common thickness is 1.5mm, 2.0mm, 2.5mm, 3.0mm, the maximum width of the plate is within 2400mm, the maximum length is within 6000mm, the model is 3003 (or 1100), and the state is H24. Its construction is mainly composed of panels, stiffeners and corner codes. The corner code can be stamped directly from the panel. Bending and forming, it is also possible to rivete corner codes on small folded edges of the panel. The stiffener is connected with the welding screw behind the plate surface, making it a firm whole, which greatly enhances the strength and rigidity of the aluminum veneer, and ensures the flatness and wind and earthquake resistance of the aluminum veneer in long-term use. If sound insulation is required, efficient sound insulation materials can be installed on the inside of the aluminum plate.

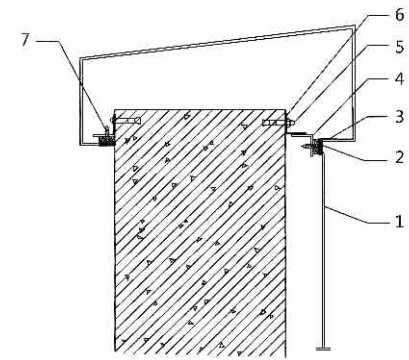
## Specific characteristics

- 1, light weight, good rigidity, high strength 3.0 mm thick aluminum plate per square to 8 kg, tensile strength n/was 100-280N/mm<sup>2</sup>
- 2, good weather resistance and corrosion resistance. The kynar - 500, hylur500 can be up to 25 years for the PVDF fluorocarbon leg colour.
- 3, good in usability. Using spray painting process after processing first, aluminum plate can be processed into plane, arc and spherical all kinds of complicated geometry.
- 4, uniform coating, color diversity. Advanced electrostatic spraying technology makes the paint and the adhesion between aluminum plate uniform, color variety, choose space is large.
- 5, and defile not easily, easy cleaning and maintenance. The tackiness of fluorine carbon spraying membrane, the surface is very difficult to attach pollutants, more good can clean sex.
- 6, installation, construction convenient and quick. Aluminum plate processing and shaping has been in the factory, construction site without cutting, fixed in aluminum keel frame.
- 7, can be recycled, aluminum plate is better for the environment. Aluminum plate can be 100% recovery, is different from the glass, stone, ceramic, aluminous model board decorative materials, such as back the high value.



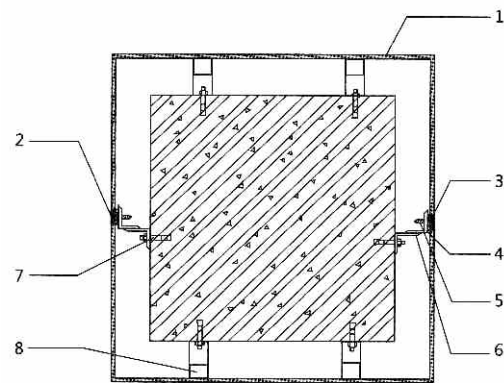
# Application ranges

Aluminum curtain wall veneer is applied to a variety of interior and exterior wall, lobby facade, awning, decorative columns, elevated corridors, pedestrian bridges, elevators package edge, balcony, advertising signs, interior decoration and other special-shaped ceiling.



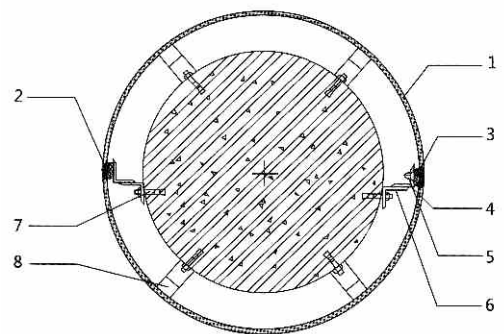
Aluminum veneer parapet wall installation sample

1. Aluminum veneer
2. Weather resistant sealant
3. Foam cushion bar
4. Hanging ears are installed interlaced
5. Expansive bolts
6. Wel after angle steel after leveing. and then fulfill anti-rust treatment
7. Tapping screw



Aluminum veneer square column installation sample

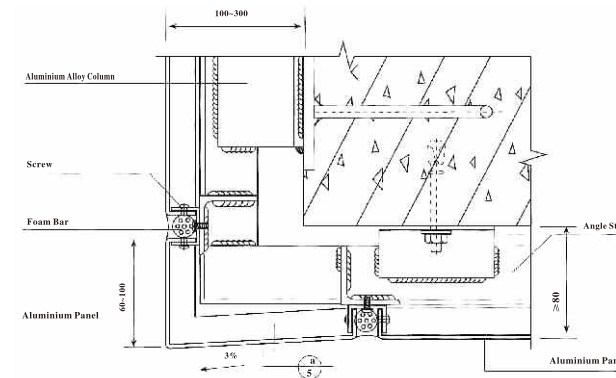
1. Aluminum veneer
2. Weather resistant sealant
3. Foam cushion bar
4. Hanging ears are installed interlaced
5. Tapping screw
6. Wel after angle steel after leveing. and then fulfill anti-rust treatment
7. Expansion bolts
8. Aluminum square tube



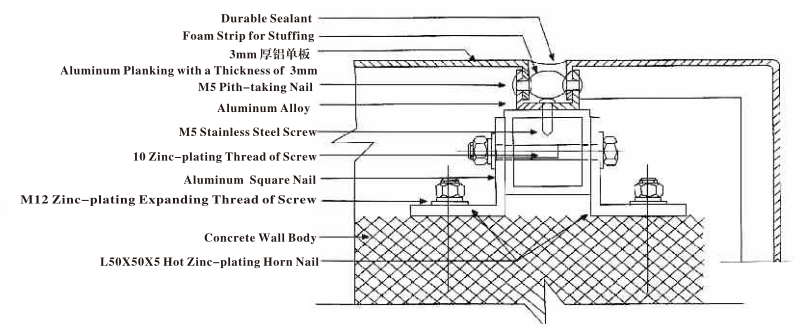
Aluminum veneer and round column installation sample

1. Aluminum veneer
2. Weather resistant sealant
3. Foam cushion bar
4. Hanging ears are installed interlaced
5. Tapping screw
6. Wel after angle steel after leveing. and then fulfill anti-rust treatment
7. Expansion bolts
8. Aluminum square tube

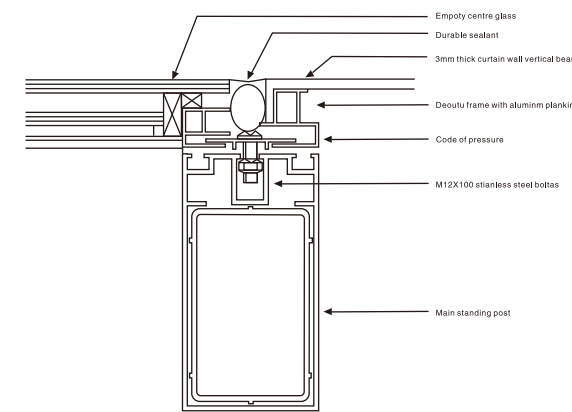
Aluminum single plate mounting structure diagram of typical node



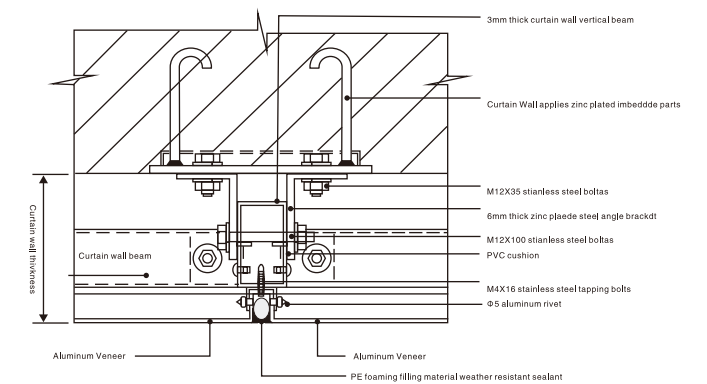
Node diagram of aluminum veneer installation



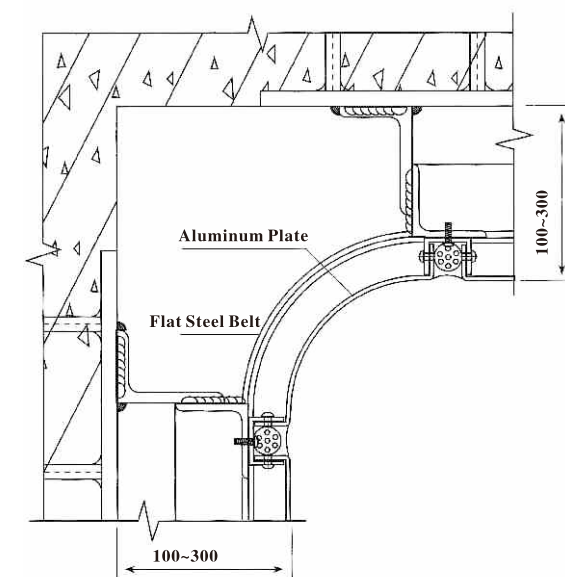
Node diagram of connection between aluminum veneer curtain wall and aluminum veneer curtain wall



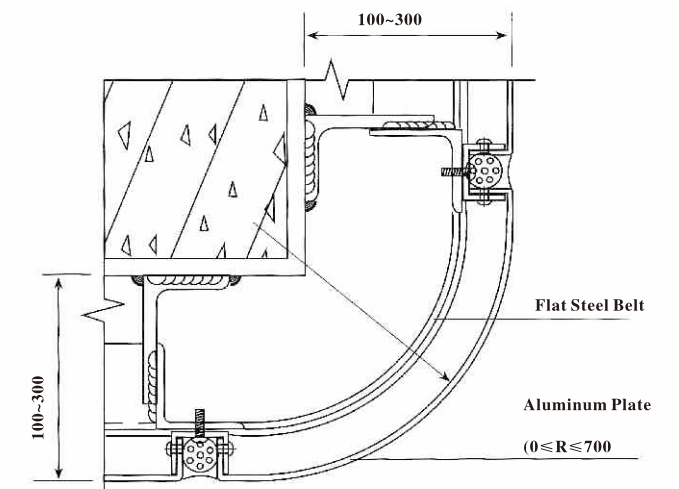
Aluminum and glass curtain wall veneer phase diagram of the node



Aluminum curtain Wall veneer and phase diagram of the node



Installation Example of Inner Corner of Aluminum Single Plate



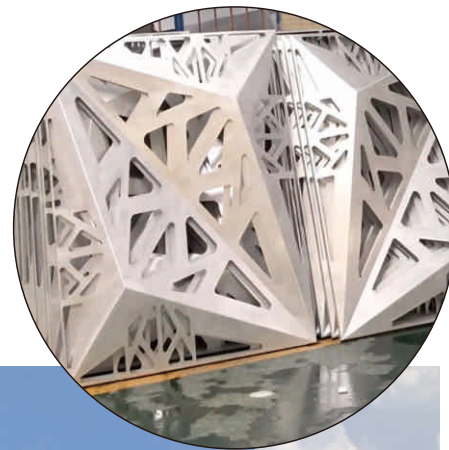
Installation Example of External Corner of Aluminum Single Plate

PERSONALIZED ALUMINUM VENEER



OPENWORK SERIES

The use of engraving and punching to manufacture various pattern boards in the plate can make the flat plate continuously extend deep into the sense of space, and have the effect of light transmission and breathability. Different patterns and dense hole shapes change to make the surface of the object dynamic, combined with different shape environments for special-shaped processing, so that the lines are brighter and more flowing. Breaking through the traditional concept of modeling, it is more suitable for various modern high-end clubs, home decoration, offices and other places, opening up endless thinking space for the vibrant fashion family, and is indeed a new form of decoration that is both practical and beautiful.

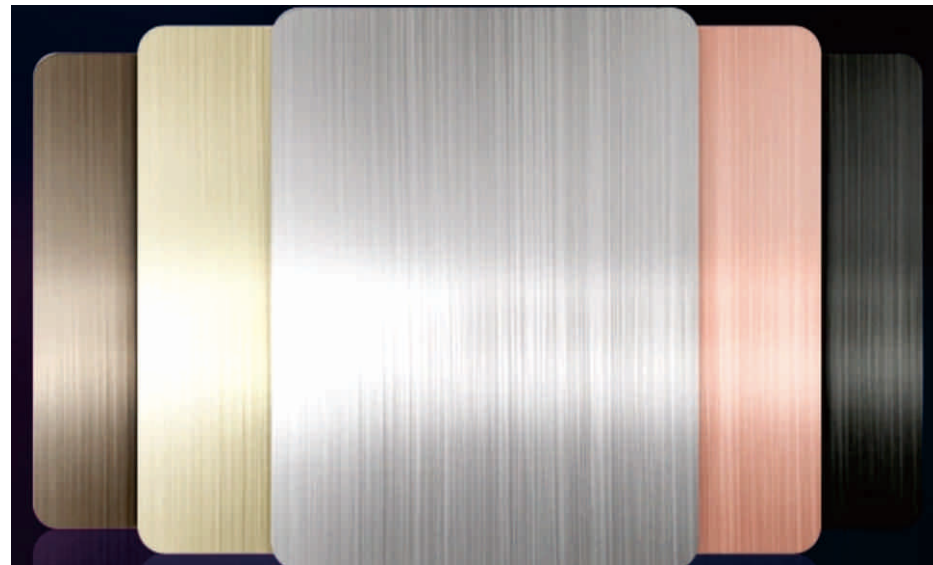


Punching module specifications list

serial number	In-line( $\phi \times a \times b$ )	plum blossom1( $\phi \times a \times b$ )	plum blossom2( $\phi \times a \times b$ )
1	$\phi 0.8 \times 5.5 \times 5.5$ (width 600)	$\phi 1.8 \times 5 \times 5$ (width 1500)	$\phi 2.5 \times 5 \times 5$ (width 1500)
2	$\phi 2.0 \times 3.8 \times 3.8$ (width 1500)	$\phi 4 \times 14 \times 14$ (width 1500)	$\phi 3 \times 5 \times 5$ (width 1500)
3	$\phi 2.0 \times 6 \times 6$ (width 1500)	$\phi 15 \times 30 \times 30$ (width 1500)	$\phi 6 \times 9 \times 9$ (width 1500)
4	$\phi 2.0 \times 5.6 \times 5.6$ (width 1500)		$\phi 14 \times 16.5 \times 16.5$ (width 1500)
5	$\phi 2.5 \times 5.5 \times 5.5$ (width 1500)		
6	$\phi 2.5 \times 6 \times 6$ (width 1500)		
7	$\phi 3 \times 5 \times 5$ (width 1500)		
8	$\phi 3 \times 6 \times 6$ (width 1500)		
9	$\phi 4 \times 7 \times 7$ (width 1500)		
10	$\phi 30 \times 50 \times 50$ (width 1500)		
11	$\phi 75 \times 140 \times 140$ (width 1500)		
12	$\phi 10 \times 21.65 \times 21.65$ (width 1500)		
13	$\phi 10 \times 20 \times 20$ (width 1500)		
14	$\phi 14 \times 28.57 \times 28.57$ (width 1500)		
15	$\phi 15 \times 30 \times 30$ (width 1500)		
16	$\phi 25 \times 50 \times 50$ (width 1500)		
Triangular holes			
Lumbar holes			
Square holes			

PERSONALIZED ALUMINUM VENEER  
 ○●  
 BRUSHED SERIES

Brushed aluminum refers to the surface of the aluminum plate with (physical treatment) mechanical wire drawing or paint wire drawing method to process straight lines, wire drawing can be made according to decorative needs, made of straight lines, cross lines, chaotic lines, threads, corrugations and spiral lines, etc.: brushed aluminum plate is repeatedly used sandpaper to scrape the aluminum plate out of the line manufacturing process, its main process is divided into three parts: deesterification, sand mill, water washing. In the aluminum plate drawing process, the special film technology after anodic treatment can make the surface of the aluminum plate generate a film layer containing the metal component, clearly showing each fine silk mark, so that the metal matte shines with fine hair luster. More and more metal shells of aluminum plate products use metal wire drawing process to play a beautiful and anti-erosion role. Make the product have both fashion and technology elements. This is one of the reasons for the popularity of the process.



**Scope of application**

Brushed aluminum plates are widely used in brushed aluminum veneer, fireproof board, aluminum picture frame, integrated ceiling, boutique cabinets, boutique doors and windows, veneer panels, signs, lighting, interior and exterior decoration, household appliances, bags, gifts, furniture, consumer electronics and other fields.



The production method of 3D painted aluminum veneer is also divided into two parts, first sheet metal forming, according to the drawing design processing into the expected shape, the reinforcement of the reinforcement, the angle code of the angle code, etc. Then after spraying pre-treatment, the impurities on the surface of the hanging aluminum plate are removed, so that the color is easier to adsorb on the aluminum plate. Scenic wall, building exterior wall, curtain wall decoration, Xinjin Aluminum Company bold innovation, keep pace with the times, realize the two-color and color spraying on the aluminum veneer, but also realize the pattern color printing on the aluminum veneer, so that colorful on the aluminum veneer presented, this is the painted 3D aluminum veneer.



PERSONALIZED ALUMINUM VENEER  
 ○●  
 3D PAINTING SERIES

PERSONALIZED ALUMINUM VENEER  
 ○●

IMITATION WOOD GRAIN SERIES

It is a product that imitates nature and transcends it. Its unique advantages are: rich color and surface texture effects, excellent performance that does not fade, crack or fall off in long-term sunlight. Its unique molecular structure, the ultraviolet transmittance in sunlight is only one thousandth, so that the anti-aging and weather resistance of the product far exceed any other sprayed aluminum profile products. It is used to process and decorate various aluminum profiles with PVDF fluorocarbon spraying, so as to realize a new design concept.

Wood grain aluminum veneer has the following advantages

1. The appearance is exquisite, the wood grain pattern is rich, the effect is realistic and the texture is clear.
2. Fire resistance: corrosion resistance, moisture resistance, hardness and strength are all compared with the solid wood floating method.
3. Anti-rust, anti-breakage, anti-ultraviolet rays.
4. Long service life, can maintain 10-15 years of no discoloration, no deformation.
5. Strong plasticity, can be processed into a variety of complex shapes, its back can be filled with heat preservation, sound insulation, sound absorption and other materials, so that its functions are more abundant.
6. Environmental protection, protect the ecological environment, reduce the waste of material resources.



Bionic texture wood grain

PERSONALIZED ALUMINUM VENEER  
 ○●

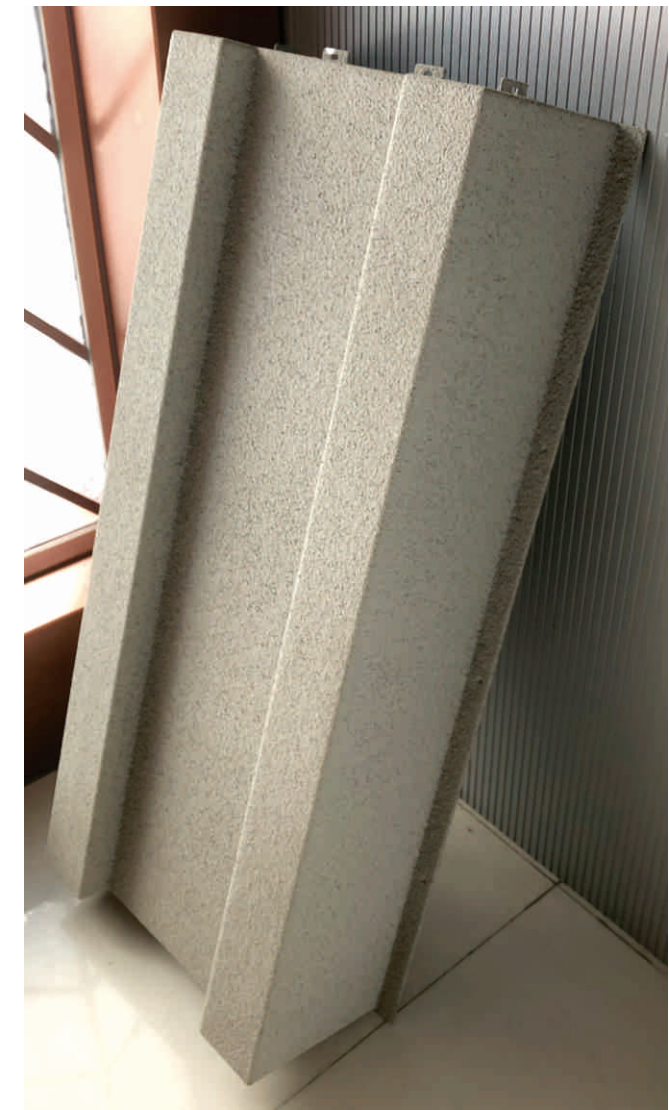
IMITATION STONE PATTERN REAL STONE PAINT SERIES

Stone grain aluminum veneer has the following advantages

1. The stone pattern is rich and delicate, and the effect is realistic;
2. The weight per unit area is greatly reduced compared with stone, and the safety level is improved;
3. It can reduce the difficulty and cost of construction and shorten the construction period;
4. Good toughness, not easy to break, moisture-proof and easy to clean;
5. Strong plasticity, can be processed into a variety of complex shapes, the back can be filled with heat preservation, heat insulation, sound absorption, sound insulation and other materials, with the effect of reducing energy consumption, stone is incomparable.



立体仿生漆面



真实漆面

## PERSONALIZED ALUMINUM VENEER



EMBOSSED SERIES

Relief is a type of carving in which the sculptor carves out the image he wants to create on a slab, detaching it from the plane of the original material. Relief sculpture is the product of the combination of sculpture and painting, using compression to treat objects, relying on perspective and other factors to represent three-dimensional space, and only for one or two sides to see. Reliefs are generally attached to another plane, so they are used more in architecture and can often be seen on utensils. Due to its compressed nature, it takes up less space, so it is suitable for decoration in a variety of environments. In recent years, it has occupied an increasingly important position in urban landscaping. The reliefs are as colorful as the round carvings in content, form and material. The relief materials are stone, wood, ivory and metal.

The choice of carving space is generally to consider the overall theme, environmental positioning and other elements, so as to achieve a good visual effect, so that it can express serious, calm, pragmatic and powerful effects



## PERSONALIZED ALUMINUM VENEER



PORCELAIN SERIES

Porcelain aluminum plate, processed and formed by the sheet metal workshop, fine polishing, pre-treatment sandblasting and surface coating of the spraying workshop, through layers of processes, and finally become a superior performance building interior and exterior wall decoration materials. Using an advanced ceramic coating system, it is an inorganic coating specially developed for the outer surface of aluminum plates in order to perform its unique functions. Ceramic coating systems offer excellent durability, chemical resistance and hardness, as well as absolute fire and insulation properties. Because of its excellent performance, it can withstand sun exposure, bad weather, acid rain, humid environment, automobile exhaust, industrial pollutants, etc. for a long time, and especially shows the characteristics of easy cleaning.

### Product characteristics

1. Pollution resistance: it has the water repellency and corrosion resistance to various chemical solvents that ceramics have.
2. Excellent economy: ceramic coatings react only below -50 °C and above 1700 °C, so even if there is a pollution adhesion, it can be easily washed and restored, that is, every time it rains, the cleaning effect can be produced.
3. High weather resistance: The coating film of ceramic plate composed of inorganic solvents and inorganic pigments is superior to general coatings in color and gloss maintenance rate because of its superior ultraviolet resistance.
4. Stable structure: Just as rock or ceramics will not change after a long period of weathering, ceramics have unique structural stability. The three-dimensional network structure formed by pure inorganic resin and inorganic pigment can extend the life of the building in the external environment such as ultraviolet rays, acid rain, wind, and heat radiation.
5. Excellent heat resistance, non-combustibility of building materials (flame retardant level): ceramic coatings composed of inorganic coatings and inorganic pigments will not produce toxic gases due to combustion in fire due to fire performance level one.
6. Color diversification of buildings: ceramics have strictly selected inorganic pigment color matching, providing consumers with a variety of color and gloss adjustability, so that the space for decoration design is broader.



## PERSONALIZED ALUMINUM VENEER



MIRROR SERIES

Mirror aluminum veneer is a material that has been polished, rolled and other treatments, resulting in a mirror effect on the surface. Usually, foreign mirror aluminum plates use rolling to make coils and plates. Mirror aluminum veneer is just a general term. According to the high, medium and low mirror surface of the plate surface, it can be divided into 800 standard mirror, 850 high mirror and 890 super mirror. According to the later surface treatment, it can be divided into 800 series oxidation mirror aluminum plate and R series non-oxidized mirror aluminum plate. The color of mirror aluminum plate can be divided into two categories: basic color and metal color, mirror aluminum plate is widely used. Widely used in lighting reflectors and lamp decoration, solar heat collection reflective materials, interior building decoration, exterior wall decoration, household appliance panels, electronic product shells, furniture kitchens, automotive interior and exterior decoration, signs, signs, bags, jewelry boxes and other fields. Specular reflective aluminum plates are divided into many types, from low to high, including film mirror aluminum, domestic polished mirror aluminum, imported polished mirror aluminum, imported oxide mirror aluminum and super mirror aluminum plate.

### Product characteristics

#### 1. Economical and practical

No matter what field, no matter how good the product is produced in that field, when they choose the production material, they will consider whether the material is economical and practical, especially the cost price of the material, which will be the primary consideration of the manufacturer, because the cost of the material determines the cost of the product, the cost of the product determines the competitive strength of the product, in the commodity society, who has the price advantage, who has the market, so the economic and practical mirror aluminum has become the new darling of industrial production.

#### 2. Appearance processing characteristics

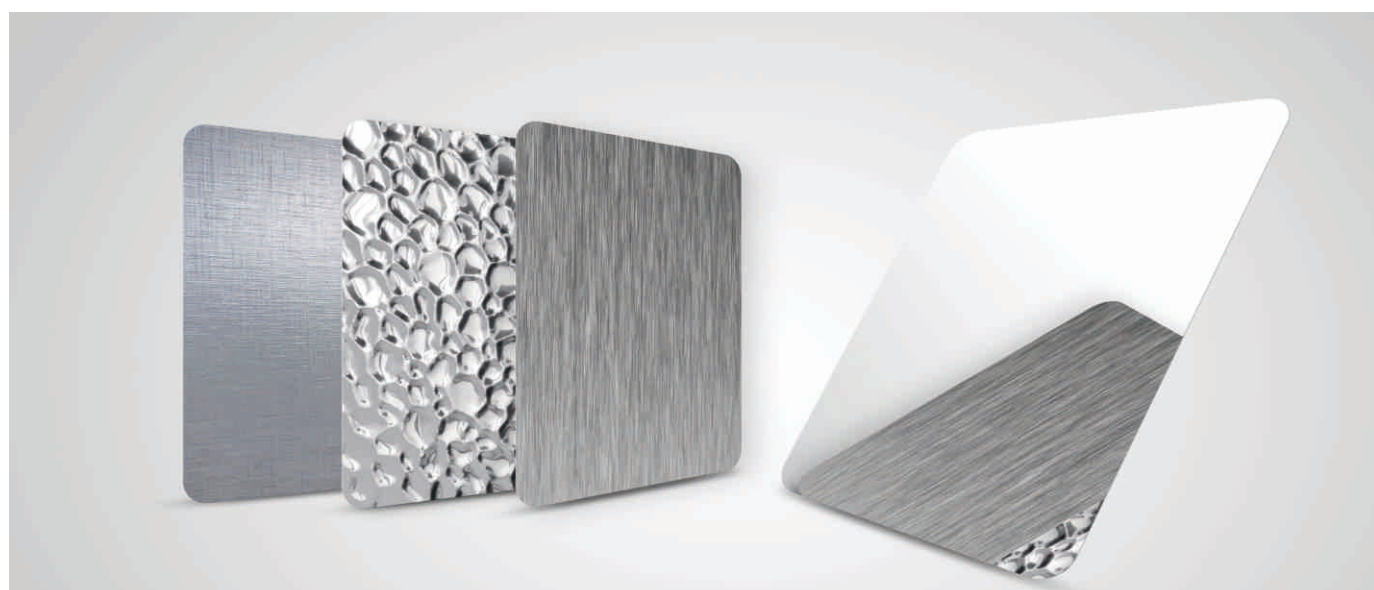
The material is pure, suitable for high requirements and stable anodized surface treatment, such as chemical polishing, atomization, chemical sanding, electric polishing, dyeing, sealing and other processing.

#### 3. Mirror characteristics

This mirror surface is generated by mechanical polishing processing, the appearance is not electroplating coating, sandblasting, anodic processing, no need to degrade anode or electroplating film, can be directly sandblasted, anodic processing, sandblasting rough particle size up to 240# or more, no pretreatment, can be directly printed, stamping processing, high reflectivity.

#### 4. High performance

The unique performance of mirror aluminum plate is very in line with the needs of industrial production, such as uniform hardness, suitable for messy stamping molding, bending, stretching, integer not easy to break, oxidation resistance, corrosion resistance, high temperature resistance and other advantages are required for industrial production, so these properties of mirror aluminum plate have become its value advantage, plus its cost performance is so high, can help businesses improve product quality at the same time, but also help businesses reduce production costs, of course, will be sought after by industrial production.



## PERSONALIZED ALUMINUM VENEER



ANODIZING SERIES

The anodized aluminum alloy plate is made of high-quality alumina plate base, which is oxidized by advanced technology and is specially manufactured for interior and exterior decoration of construction projects.

### excellent performance

Light weight, high strength, good rigidity, rich color, good color difference, good consistency, easy maintenance and cleaning

### product quality is stable

The oxide film layer is integrated with the aluminum plate base, which is strong and wear-resistant and scratch-resistant

### High temperature resistance, super corrosion resistance

The decoration effect is ideal, and it is the first choice for owners and designers

### long service life

Product varieties: brushed series, titanium silver series, mirror series, sand surface series, embossing series, natural color and black series, color series, etc.

### standard size

Conventional thickness: 0.6, 0.8, 1.0, 1.2, 1.5, 2.0, 2.5, 3.0

Regular width : 1000, 1200, 1500

Regular length: 2000, 3000, 6000,

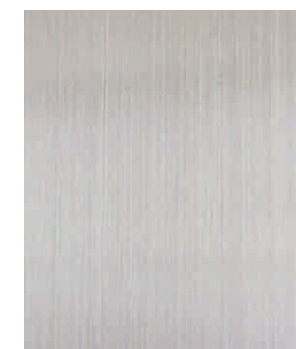
Plating thickness: : 10μm, 15μm, 20μm,

### Application scope

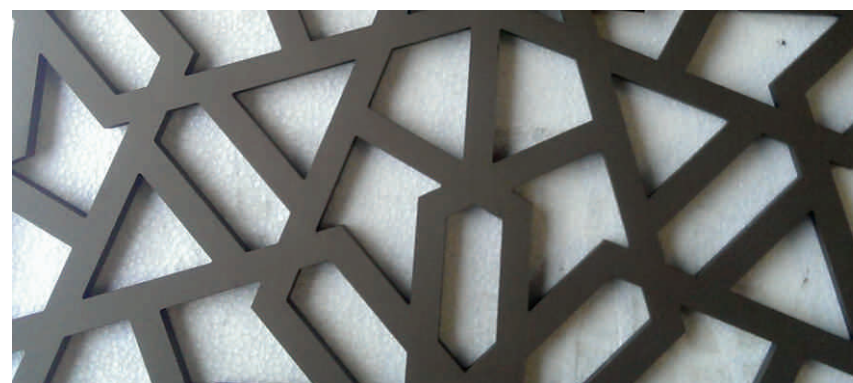
It is suitable for all kinds of indoor and outdoor metal curtain wall panels, suspended ceilings, administrative office buildings, commercial buildings, airports, subways, light rail, exhibition halls, underground passages, hospitals and other places.



Wire pressing product diagram



Drawing product drawing



PERSONALIZED ALUMINUM VENEER

NANO (SELF-CLEANING) SERIES

Making coatings as resistant to dirt and self-cleaning as lotus leaves is a hot research topic in the coatings industry. The nanomaterials are embedded in the coating to make the surface of the coating show unique nanostructure characteristics, showing the self-cleaning ability of hydrophobic and oleophobic oil.

Nano self-cleaning aluminum veneer is the use of today's most advanced nanotechnology coating, giving full play to its self-cleaning performance in the aluminum curtain wall. As long as a heavy rain, the dust, sludge, bacteria, fungi and other surfaces like lotus leaves on the aluminum curtain wall can be carried away with rolling water droplets to achieve the effect of self-cleaning and spotless.

Product characteristics

1. Super weather resistance, PVDF coating has unique advantages in corrosion resistance, pollution resistance and weather resistance, no matter in hot or cold environment does not damage the beautiful appearance.
2. Good self-cleaning, even in some areas with serious pollution, only need to be washed with wiping water, with excellent anti-pollution performance.
3. Lotus leaf effect: Scientific research has found that the surface of lotus leaf has the magical function of anti-dirt and self-cleaning (Figure 1), which is manifested in physicochemical theory as oleophobic and hydrophobic surface activity on the surface (Figure 2 and Figure 3), and the fundamental reason is because its surface has a special structure of nanomaterials (Figure 4).

Scope of application

Applied to a variety of metal curtain wall panels, metal ceiling panels, suitable for a variety of living workplaces, health care public entertainment communities and other specific places, such as: airports, subways, light rail, stations, exhibition halls, hospitals, administrative office buildings, commercial buildings and other indoor and outdoor places, in line with environmental protection requirements, improve the quality of life and production environment.



Fig. 1 vegetable water effect of lotus leaf



Fig. 2 vegetable oil effect of lotus leaf



Fig.3 anti dirt and self-cleaning function of water droplets



Fig. 4 microstructure and nanostructure of Heze leaves

PERSONALIZED ALUMINUM VENEER

HETEROMORPHOSIS HYPERBOLOID SERIES

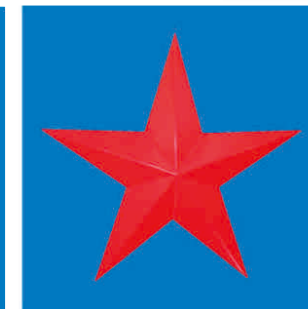
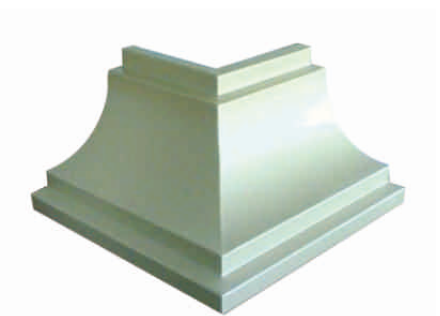
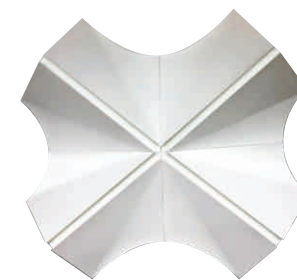
With the diversification of building appearance styles, hyperboloid aluminum veneer has been increasingly favored by owners and curtain wall designers.

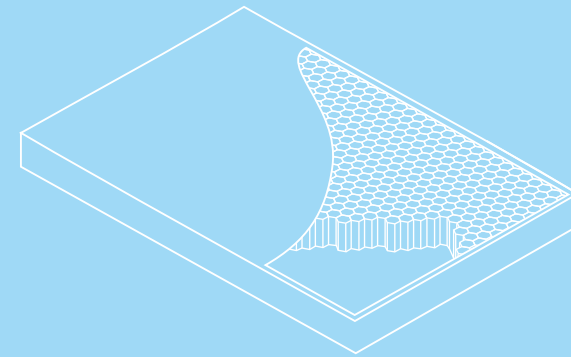
The hyperbolic plate is produced in a short time by using a universal molding machine imported from Germany with a special CNC hyperboloid software. High accuracy, smooth surface, accurate seam and can be customized with samples. Xinjin aluminum bold exploration, independent innovation, the use of skin stretching technology and three-dimensional modeling rationale, to solve the aluminum veneer industry difficulties technology - hyperboloid aluminum veneer production, design process, become one of the few domestic real can mass produce hyperboloid aluminum veneer and complex special-shaped enterprises, for designers to provide a broader and design space, Xinjin aluminum double-curved aluminum veneer equipment advanced, exquisite technology, excellent quality, short delivery time. The plate surface effect is smoother than the common hyperbolic panel produced by split welding, and the installation effect is smoother than the arc of the so-called "straight belt curve" and other false hyperbolic arcs, which fully demonstrates the irreplaceable unique charm of the hyperboloid aluminum veneer on the metal screen.

1. Unique and innovative design, breaking through the traditional ceiling styling characteristics.
2. Full of modern atmosphere, can be combined according to different environmental requirements to give different styles.
3. Best expression of modern space.



Antique tiles





## Aluminum alloy composite panel



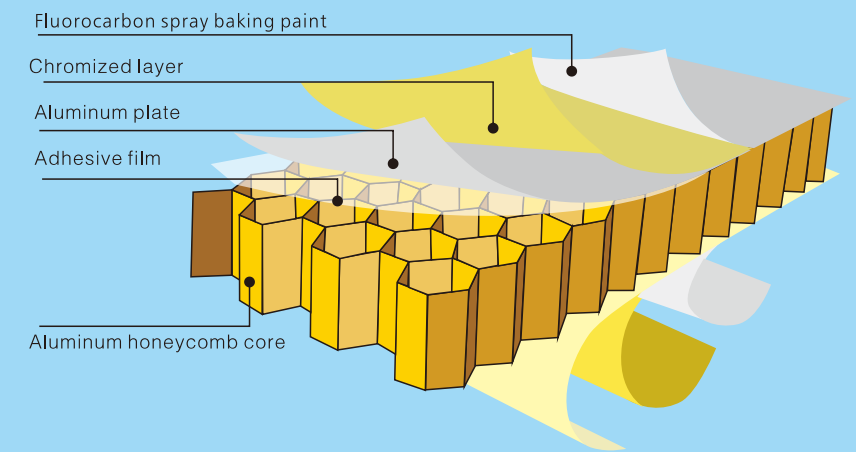
At present, the structure of aluminum honeycomb panel has been widely used in aviation and aerospace, which is characterized by light weight, high strength, especially high rigidity, strong resistance and long life.

The company takes the high-tech industry as the main body, makes full use of aerospace technology, and applies it to civil, industrial, and construction industries. The products are well received by people from all walks of life. Curtain wall aluminum honeycomb panel is mainly used in the exterior wall decoration of the building, etc., the product is made of high-quality imported raw materials, and the processing size is accurate. The surface adopts advanced pre-roll coated fluorocarbon paint process, and the curtain wall aluminum honeycomb panel can maintain no color for 30 years.

Aluminum honeycomb panel manufacturers use two-component polymer epoxy film and two-component epoxy resin, through fully enclosed dust-free operation, with automatic honeycomb panel composite production equipment through pressure and high temperature composite, so that the aluminum honeycomb panel bonding is firmer, more resistant to flexion, the plate is straighter, and the quality is more reliable. Curved plates can be made according to architectural design requirements. Folded plate and trapezoidal plate and other special-shaped aluminum honeycomb panels, all circular arc, L-shaped, U-shaped and other non-flat special-shaped plates are formed by the mold at one time, the same project only uses the same batch of roller-coated aluminum plate, no color difference phenomenon. Aluminum honeycomb panel belongs to a kind of high-quality, lightweight, high-strength, luxurious and gorgeous appearance of green environmental protection decorative materials.

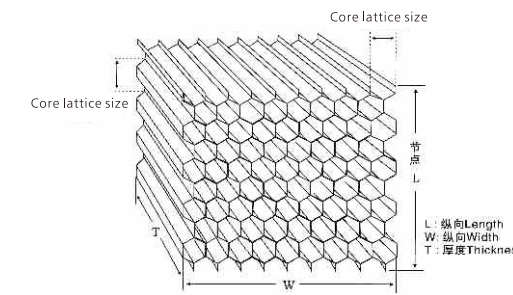


## Introduction of aluminum honeycomb core

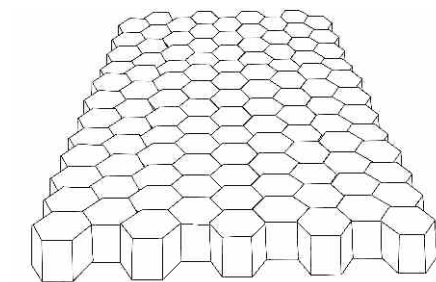


The regular hexagonal beehive built by natural bees, after the design and calculation of scientific and technological workers, it was amazingly found that the hexagonal structure of the hive is a kind of the most reasonable and scientific structure with the least amount of the same strength.

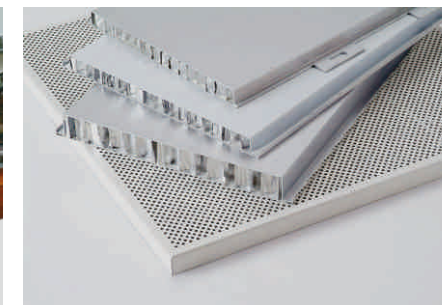
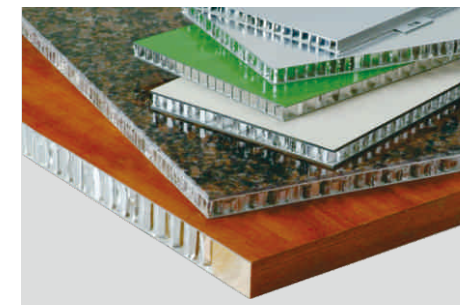
The aluminum honeycomb core is made of multiple layers of aluminum foil bonded, laminated, and then stretched and unfolded into a regular hexagonal honeycomb core. The aluminum honeycomb core has sharp, clear hole walls and no burrs, making it suitable for high-quality core-to-surface bonding and other uses. The honeycomb core layer is a hexagonal aluminum honeycomb structure, and the dense honeycomb restrained by each other is like many small I-beams, which can disperse the pressure from the direction of the panel, so that the board is evenly stressed, ensuring that the panel can still maintain a high flatness in a large area. In addition, the hollow honeycomb can greatly reduce the thermal expansion of the plate body. The supply form of aluminum honeycomb core material is divided into aluminum honeycomb stack, aluminum honeycomb core strip and stretched aluminum honeycomb core.



Honeycomb core 3 d floor plan



Aluminum honeycomb core structure





## Surface coating

The front of the aluminum honeycomb panel is coated with AAMA and ECCA quality standards of fluorocarbon paint, and the color options are the same as the aluminum-plastic composite panels, providing a wide range of standard colors, including plain and metallic, and can also be specified by the customer. The surface of the honeycomb panel for outdoor use in buildings is coated with fluorocarbon (PVDF) roller coating, baking paint or ceramic coating, which has excellent weather resistance, ultraviolet resistance, moisture resistance and pollution resistance.

## Product composition

Aluminum panel: mainly use high-quality 3003H24 alloy aluminum plate or 5052AH14 high alloy plate as the base material, with a thickness of 0.8–1.5mm of fluorocarbon roller coated plates.

Aluminum bottom plate: The thickness of the bottom plate is 0.5–1.0mm

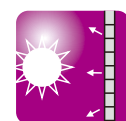
Aluminum honeycomb: the core material adopts hexagonal 3003H24 aluminum honeycomb core, aluminum foil thickness 0.04–0.07mm, side length 5–6mm.

Adhesive: using one-component epoxy film and two-component modified epoxy resin.

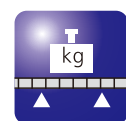
## Main features



sound insulation



Host insulation, Fireproof



Strength



Light

Aluminum honeycomb panel, different specifications and sizes have extremely high flatness, and have the advantage of not easy to deform, the panel is mainly made of fluorocarbon roller coated aluminum plate. The most important point of fluorocarbon roller coated aluminum plate is the continuous roller coating process, the painting of aluminum plate is completed at one time, the product has no color difference, the coating leveling is good, the quality is reliable, and the color of the exterior wall of the building can be kept bright for a long time. After long-term sun and rain or industrial exhaust pollution, it is obvious that the roller coating plate is cleaner and brighter than the spraying, and has good adhesion and weather resistance.

## Scope of application

Decoration materials: aluminum honeycomb curtain wall composite panel, aluminum honeycomb ceiling composite panel, aluminum honeycomb anti-static composite floor, aluminum honeycomb partition wall composite panel (electronic workshop), aluminum honeycomb composite fire door, aluminum honeycomb composite marble board, etc.;

Household appliances: air conditioning refrigeration catalyst mesh, refrigerator deodorization block, warm fan crystal grid, air purifier air guide grid, etc.;

Lighting industry: various exhibition body light guide grids, lighting, traffic light barriers, etc.;

Audio industry: flat panel voice board, long thin speaker, and small and medium-sized traditional speakers, headphone speakers, etc.;

Transportation industry: railway trains, subway trains and ship carriages, train doors, partitions and other decorative materials;

Furniture industry: home furniture, office furniture, exhibit furniture, etc., with moisture-proof, moth-proof, fireproof functions, its compression, bending resistance and other properties are much better than traditional materials.

## Waterproof construction process

The surface aluminum plate adopts 3003 aluminum alloy plate, because the aluminum plate has a waterproof effect, and its surface is treated with fluorocarbon, with weathering, chemical corrosion resistance, weather resistance, etc. The perimeter is firmly combined with sealed aluminum profiles and aluminum plates to prevent rainwater penetration. In order to better play the role of waterproofing, silicon copper weathering adhesive and plug-in installation method are used during the installation process to achieve the best waterproof effect.

## Technologic function of aluminum honeycomb planking target

Front-al planking	1.00tmm
Back al-planking	1.00mm
Weight(kg/m2)	7.4 7.8

## Mechanics function of complex planking and surface planking

Inertia rectangle I (cm4/m)	19.85	31.67
Measurement of cutting W (cm3/m)	19	24
hardness of complex planking E.I (KN cm2/m)	139000	217000
aluminum profile surface planking	AA5754A(ALMg <sup>3</sup> )	
Changeable measurement (N/mm2)	70000	
Pull-protecting strenght of surface planking (N/mm2)	Rm≥220	
0.2%Power of bending (N/mm2)	Rp0.2≥130	
Extanding rate (EN485-2:1994)	A50≥8	
Hot expanding of aluminum materials	2.4mm/m 100°C	when the temperature discrepancy is 100°C

## Surface decaration layer

Luminosity (original Data)	30-40%
Hardness of pencil	HB-F

## Honeycomb core

Size of honeycomb	1/4''(6.3mm)
Weight standing of aluminum mateials	80kg/m <sup>3</sup> It is about 80kgm <sup>3</sup>
Strenght of pressure-resistant(MIL-STD-401)	4 N/mm2

## Function of acoustics

Data of sound sucking As	0.05
Indicator of sound separating According to ISO 717-Rw	23 25

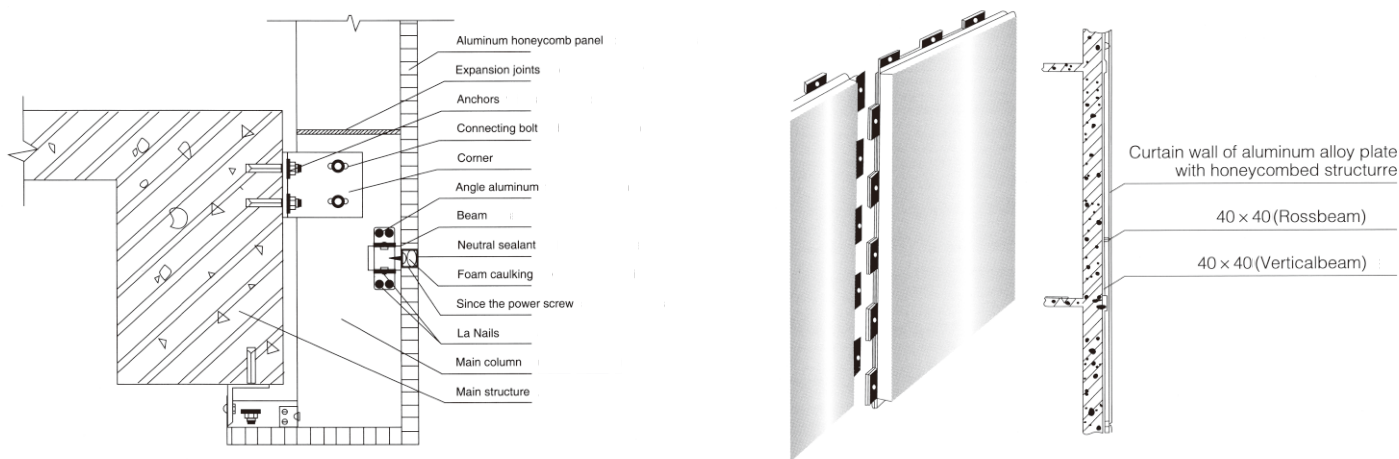
## Function of heating

Size of honeycomb	2.25	2.7
Weight standing of aluminum mateials	0.0089	0.0093
Strenght of pressure-resistant(MIL-STD-401)	53.59	5.575

To comples planking the data of heat passing "λ" depends on the thickness of planking.

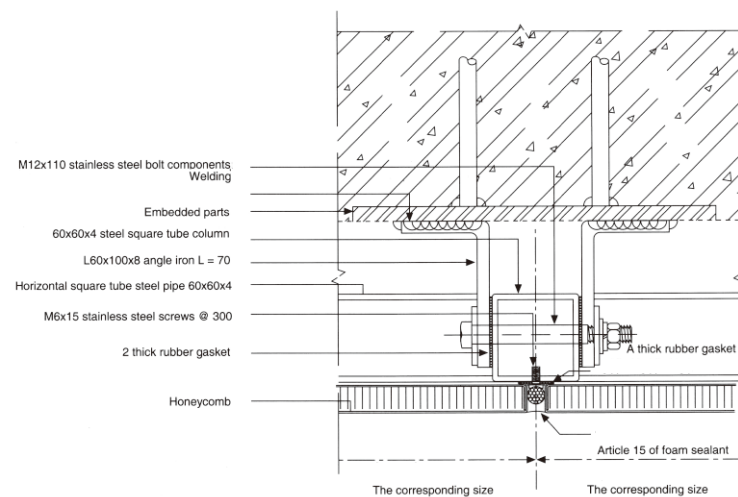
## Waterproof Structure Of process

The surface of the aluminum plate is 3003 aluminum alloy plate, because of the waterproof function of the board, the surface of the aluminum plate has anti weathering, anti chemical corrosion and weather resistance. Airproof aluminum and aluminum solid combination, make it play a role to prevent rainwater infiltration. In order to better serve to the waterproof function, in installation process using silicon copper gum weatherability and plug installation, so as to achieve the best waterproof effect.

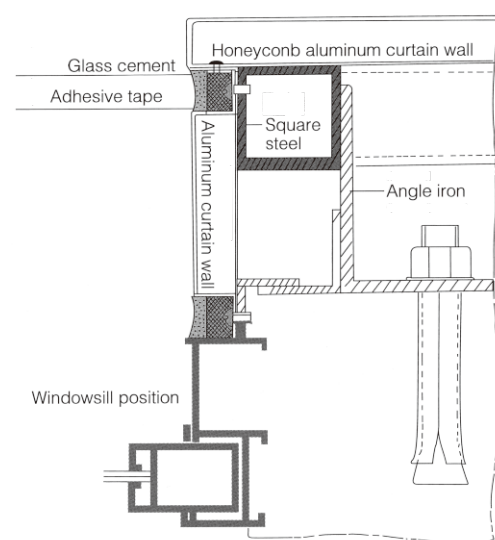


Curtain wall installation diagram of aluminum honeycomb panels

Curatin wall with honeycombed plate and the side view



Loint structure and plan to stay



Curtain wall window installation drawing

## ALUMINUM ALLOY COMPOSITE PANEL

VENEER/BAMBOO/STONE  
OTHER ALUMINUM  
HONEYCOMB PANELS

## Wood veneer / bamboo veneer / Stone / other aluminum honeycomb composite board



Wood aluminum honeycomb panel

Bamboo aluminum honeycomb panel

Stone honeycomb panel

Color steel sandwich board insulation



Copper honeycomb panel

Low carbon energy saving light reflection

Titanium Zinc honeycomb panel

Steel sheet honeycomb panel

Aluminium honeycomb curtain wall plate at the bottom of the panel can be selected according to different requirements of materials, such as aluminum, stainless steel plate, color steel plate, etc. Aluminium honeycomb curtain wall plate is based on the size of the site design, processing in the factory. Plate bending around, then the composite molding, hanging ears and plate into a whole again, make cellular hangs Taiwan firmer after forming, the whole factory production, quality is reliable, convenient installation, and fast.

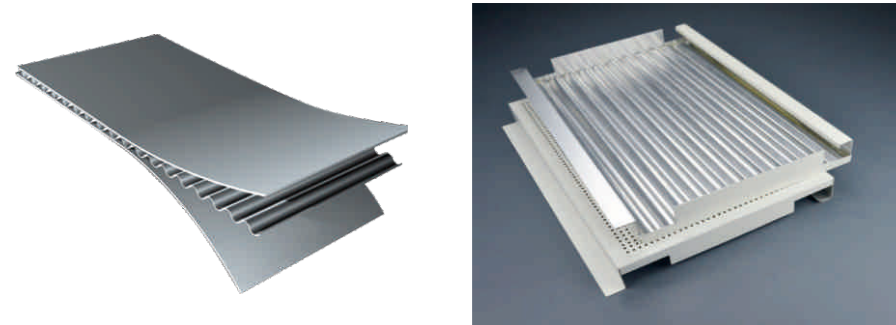
The curtain wall aluminum honeycomb board is mainly used in the decoration of the outer wall of the building, and the products are imported with high quality imported raw materials, and the processing size is accurate. The surface adopts advanced preroll coating process, can maintain 30.No color changes in years. The company adopts a two-component polymer epoxy film and a two-component modified epoxy resin, which can be combined with a full-automatic honeycomb panel composite production equipment through the closed and dust-free operation.As a result, the aluminum honeycomb plate is bonded more firmly, more resistant to bending, the plate is more straight, the quality is more reliable. According to the requirements of building design, we can produce various kinds of shaped honeycomb boards, such as arcs, folding plates and trapezoidal plates.There are circular arc, L shape, U shape and other non-planar shaped plates are all moulded by the mold, the same project only use the same batch roll aluminum roll, no color difference phenomenon. It belongs to a high quality, affinity,High strength, luxurious and rich green decoration materials.

## ALUMINUM ALLOY COMPOSITE PANEL



### ALUMINUM CORRUGATED PANEL

If honeycomb board has good strength and stiffness and excellent flatness, then corrugated board is the best large shape curved plate material. The surface layer is 1.0-1.2mm aluminum plate, the back is corrugated steel or aluminum material, this plate type can better meet the special design requirements of designers, widely used in theaters, exhibition halls and public areas and other places.



### Base material

The aluminum substrate of the aluminum corrugated board is coated with 3003 alloy aluminum surface: KNT500 fluorocarbon resin coating produced by Akzo, one of the world's largest paint suppliers. It can effectively resist acid rain, air pollution and ultraviolet light erosion, and has the characteristics of long use time, strong absorption ability, good gloss, aging resistance and no discoloration.

### Adhesive

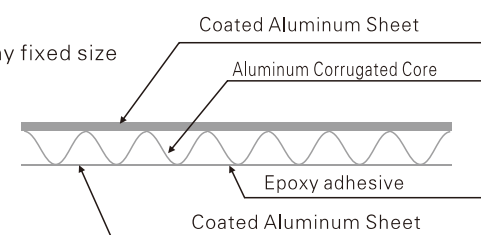
The company adopts the world's most advanced epoxy resin adhesive to ensure the bonding strength and uniform composite between aluminum plates in maximum strength. The roller peel strength exceeds 80N

### peculiarity

The surface is flat, the large panel is not easy to deform, the surface fluorocarbon roller coating, the paint surface is uniform and consistent, easy to clean. Rich in color (imitation stone, imitation wood grain color). Light weight, high peel strength, good weather resistance. Good compartment and heat insulation performance. Fire rating: A

### Standard specifications

Thickness: 6mm, 8mm  
 Conventional board width: 1020mm, 1250mm, 1550mm  
 Conventional board length: 2440mm  
 According to customer requirements, the length is within 6000mm of any fixed size  
 Packing: Wooden rack packing or wooden box



### Application scope

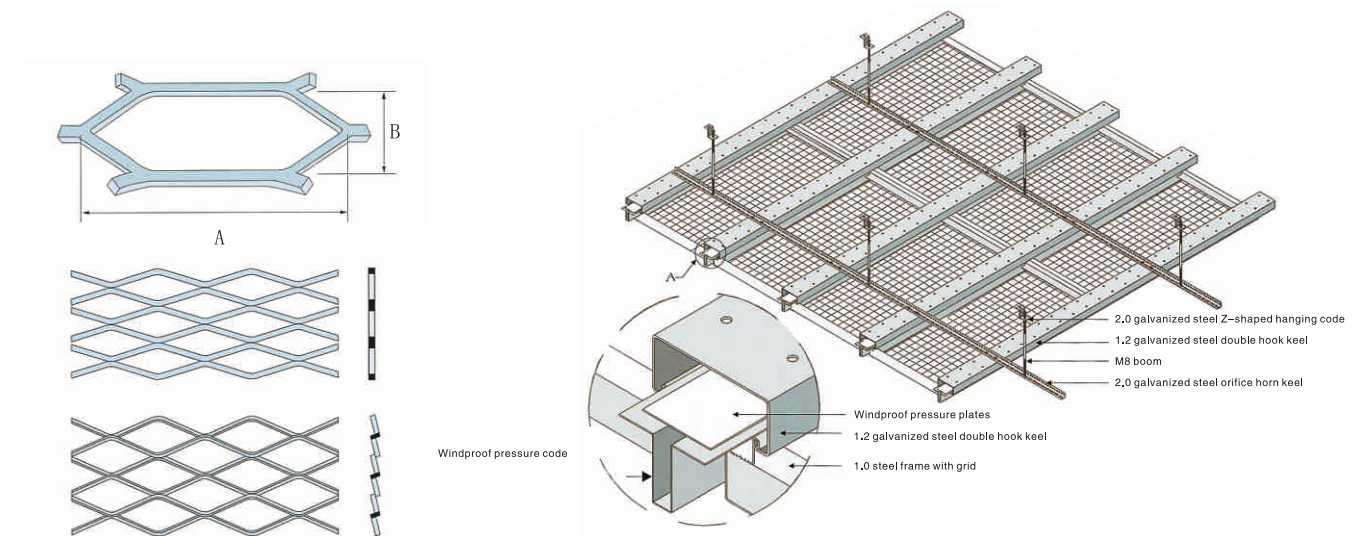
Building curtain wall decoration, old building exterior wall transformation. Upholstery, partitions, ceiling, etc Storefront decoration.

## ALUMINUM ALLOY COMPOSITE PANEL



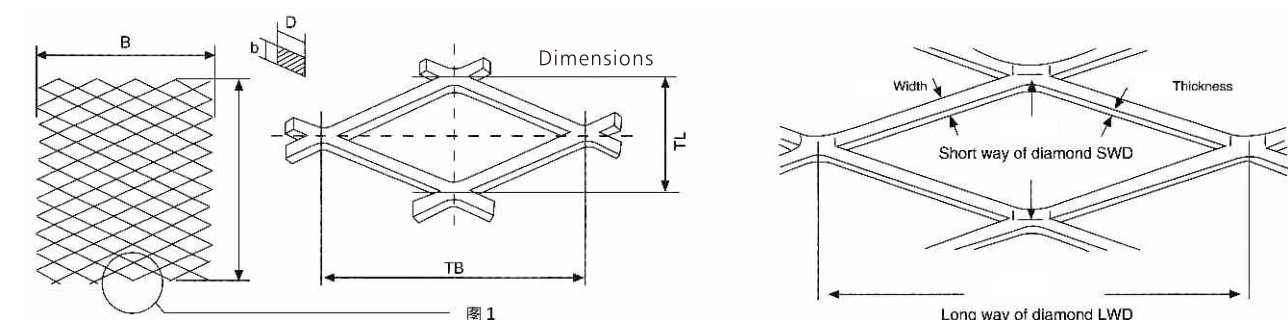
### ALUMINUM MESH PLATE

Material: aluminum plate, titanium plate, nickel plate, aluminum magnesium alloy plate  
 Uses: The product has a firm mesh and long service life. Widely used in national defense aerospace, railway, highway, coal mine, light industrial machinery, petrochemical, textile, construction, agriculture and forestry, garden park, animal husbandry and other industries, is the foundation, roof, powder layer, shear wall, sound insulation wall, high-strength concrete pouring, large mine screen, highway guardrail, sports venues, schools, villa fences, road greening protection, protection, mechanical equipment safety protection and motor blade shell, various machine tools, automotive equipment, air filters and heat dissipation treatment, Supporting products for the electronics industry and household batteries, various types of ladder handrails, aisle pedals, scaffolding, and flower stands.



The aluminum mesh panel ceiling system has an open and transparent vision, which is one of the best choices for modern office buildings, airports, stations, large shopping malls and other buildings, the ceiling system. The system can choose concealed suspension and open bone methods, and the transparent ceiling surface composed of metal mesh plate surface is stretched to form a solid and integral mesh ceiling effect, neat and modern ceiling effect, especially suitable for large spaces. The suspension system can choose the concealed hook type, the upper galvanized hole angle is spaced at 1200mm, and the screw and the hook keel are interlocked in a criss-cross manner, and the flat and stable metal mesh ceiling piece is directly hooked and supported on the supporting keel; Alternatively, you can choose an exposed open bone suspension system, where the metal mesh ceiling is placed directly on the bone groove to highlight the ceiling line effect. Mature system design, can be completed freehand during the construction process, without the need to use any tools, saving a lot of construction time.

The product can be widely used in the design of any large-scale building, providing the best choice. Metal mesh ceiling with mesh ceiling material aluminum alloy, galvanized steel and stainless steel surface coating metal primary color into powder coating (not less than 60 microns), available in a variety of standard colors, and can be deployed according to customer requirements.



## ALUMINUM ALLOY COMPOSITE PANEL



THERMAL INSULATION  
ALUMINUM PLATE

Rigid polyurethane insulation board/sandwich polyurethane insulation board is used in various building exterior walls, roof insulation, as well as refrigeration facilities, building doors and windows, industrial equipment and special vehicles, etc., is an emerging organic polymer insulation/insulation material widely used internationally and with excellent performance.

The company produces BBS rigid polyurethane insulation board thickness of 20–55mm, fixed width of 1200mm, length can be optional, polyurethane foam material density is generally 45 kg/m<sup>3</sup>, according to the demand can adjust the density up to 70kg/m<sup>3</sup>. The surface material of rigid composite polyurethane insulation board is divided into Kun coated aluminum plate (thickness 1.0–2.0mm), imitation marble aluminum plate, imitation solid wood aluminum plate and other combinations.



### peculiarity

1. When the density of polyurethane rigid foam is 35~75kg/m<sup>3</sup>, the thermal conductivity is only 0.017~0.023W/(mK). Among the insulation materials currently used in practical applications, the thermal properties are the best and the thermal conductivity is the lowest. In building exterior wall insulation applications, 10 mm polyurethane insulation board is roughly equivalent to the insulation effect of 400 mm clay brick wall.
2. Compared with other polymer insulation materials, rigid polyurethane insulation board has higher compression, shear and tensile strength, and can adapt to the normal deformation of the base material connected with it without cracks, empty drums and other phenomena.
3. Polyurethane insulation board has the characteristics of strong adhesive or composite with concrete, clay block, metal, wood, rubber and glass.
4. Because the closed cell rate of polyurethane insulation board is more than 93%, the water absorption rate is less than 3%, and the waterproof effect is good.
5. Rigid polyurethane insulation board can be used normally between temperature -40~+90 °C (metal surface composite polyurethane insulation board temperature adaptation range is higher), high dimensional stability, good weather resistance and chemical stability.
6. Adding flame retardants in the production process of polyurethane insulation board can adjust and improve the combustion resistance of polyurethane materials, so as to achieve the effect of self-extinguishing from fire and surface combustion carbonization.
7. Polyurethane insulation board products are non-toxic and non-irritating, no free formaldehyde, toluene and xylene and other substances precipitated, can be directly used in the living environment.

### The main technical indicators of rigid polyurethane insulation board are as follows:

1. Polyurethane material density: 45-70kg/m<sup>3</sup>
2. Thermal conductivity: 0.020—0.022 W/(mK)
3. Water absorption: 1.9-2.2%
4. Compression performance: 191-228kPa
5. Dimensional stability: 0.3-1.6%

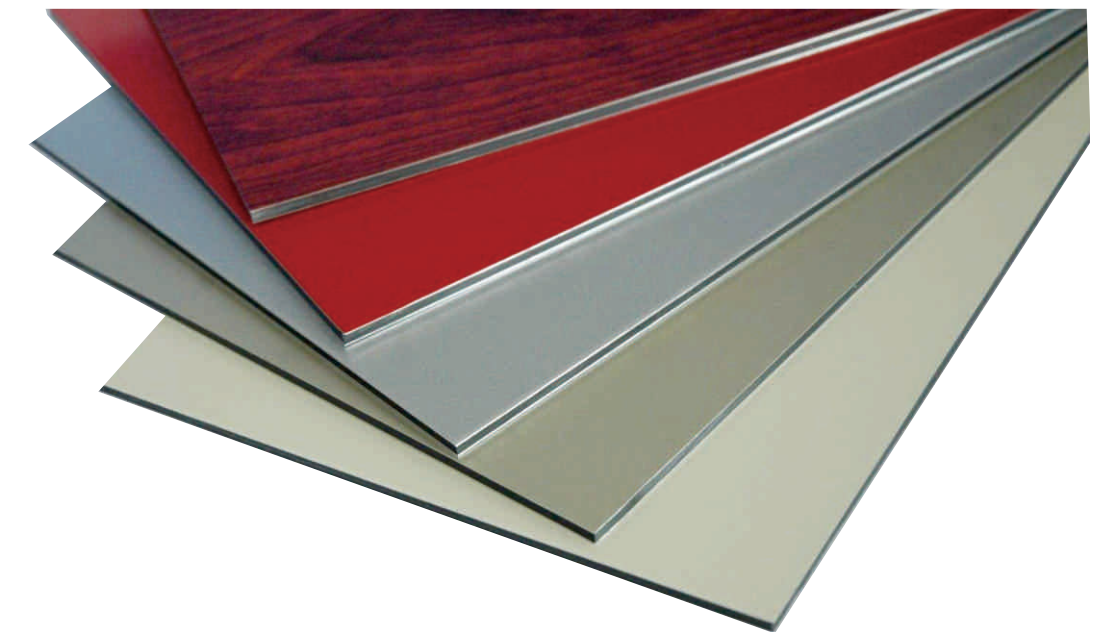
## ALUMINUM ALLOY COMPOSITE PANEL



ALUMINUM-PLASTIC  
PANEL

As a new type of decorative material, aluminum-plastic composite panel (also known as aluminum-plastic panel) has been introduced from Germany to China since the late eighties and early nineties of last century, and has been quickly favored by people for its economy, diversity of optional colors, convenient construction methods, excellent processing performance, excellent fire resistance and noble quality.

The unique properties of the aluminum-plastic composite panel itself determine its wide range of uses: it can be used for building exterior walls, curtain wall panels, old building renovation, indoor wall and ceiling decoration, advertising signs, display stands, purification and dust prevention projects. It belongs to a new type of building decoration material.



### Performance:

**Super peel degree:** the aluminum-plastic panel adopts a new process, which improves the most critical technical index of the aluminum-plastic composite panel – peeling strength to an excellent state, so that the flatness and weather resistance of the aluminum-plastic composite panel are correspondingly improved.

**Material is easy to process:** aluminum-plastic panel, the weight per square meter is only about 3.5–5.5 kg, so it can reduce the harm caused by earthquakes, and easy to handle, its superior constructivity only simple woodworking tools can complete cutting, cutting, planing, bending into arcs, right angles of various shapes, can cooperate with designers, make various changes, easy installation, fast reduce construction costs.

**Excellent fire performance:** the middle of the aluminum-plastic panel is the flame-retardant substance PE plastic core, and the two sides are extremely difficult to burn aluminum layers. Therefore, it is a safe fireproof material that meets the fire resistance needs of building regulations.

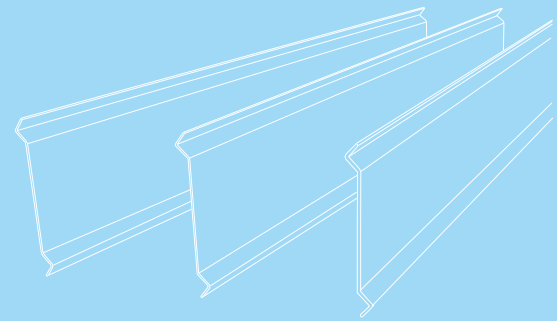
**Impact resistance:** strong impact resistance, high toughness, bending without damaging the topcoat, strong impact resistance, and there will be no damage caused by wind and sand in areas with large wind and sand.

**Super weather resistance:** Due to the use of KYNAR-500 based PVDF fluorocarbon paint, weather resistance has unique advantages, whether in the hot sun or cold wind and snow, it does not damage the beautiful appearance, up to 20 years without fading.

**Uniform coating and diverse colors:** After the formation treatment and the application of Henkel's film technology, the adhesion between the paint and the aluminum-plastic panel is uniform and uniform, and the color variety allows you to choose more and show your personalization.

**Easy maintenance:** aluminum-plastic panels, in terms of pollution resistance, has been significantly improved. China's urban pollution is more serious, after a few years of use need to maintain and clean, due to good self-cleaning, only need to use neutral cleaning agent and water can be, after cleaning to make the board permanent as new.

**Easy to process:** Aluminum-plastic panel is a good material that is easy to process and form. It is also an excellent product that pursues efficiency and time, which can shorten the construction period and reduce costs. Aluminum-plastic panels can be cut, cut, grooved, band saw, drilled, processed countersunk, cold bending, cold folding, cold rolling, riveting, screw connection or gluing bonding, etc.

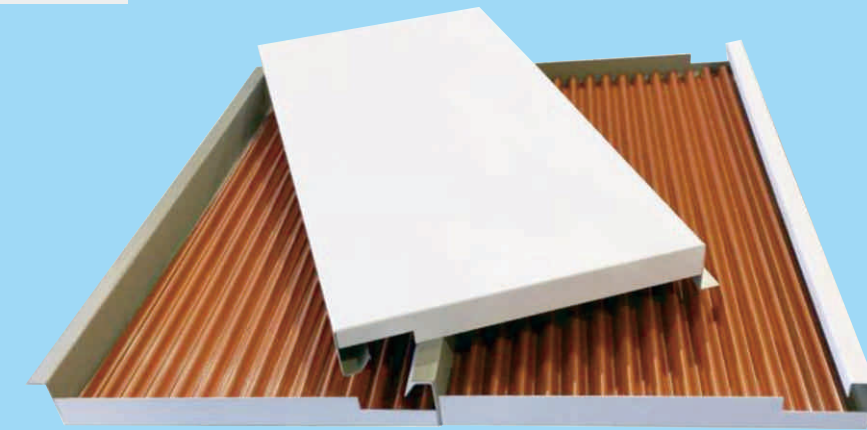


Various ceiling ceilings ▶▶

VARIOUS CEILING  
CEILING

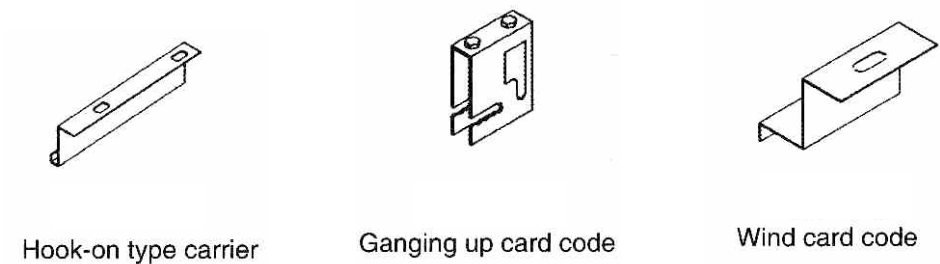
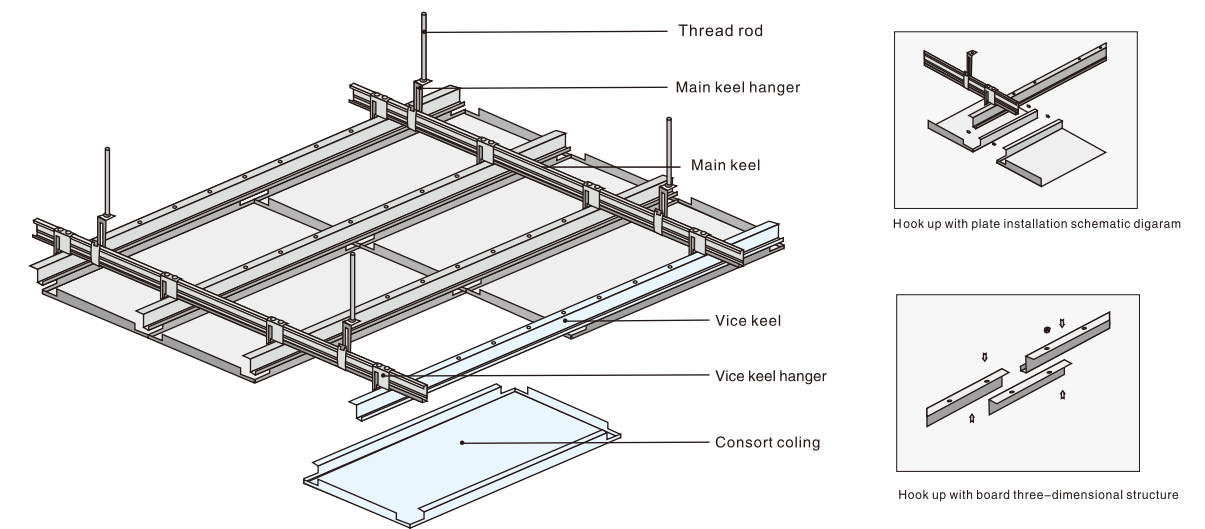
HOOK-UP CEILING SERIES

According to the needs of the actual space, the size of the ceiling surface is flexibly designed. After fixing the keel system, it can be loaded and unloaded by hand without any auxiliary tools, which is flexible and simple. The keel system is equipped with a windproof code structure, which remains stable in stormy climates and can be designed in a variety of decorative effects and shapes. It is widely used in places with high performance requirements for smallpox activities.



The life of space lies in the flexibility of its structure and the wonderfulness of its elements. To say that the structure of the space is the stage, then the elements in the space are the sets and decorations on the stage; If the structure is the atmospheric outline of space, then the elements are the delicate delicate depiction of the expression. Therefore, the creation of spiritual space has become the ultimate pursuit of space designers and material manufacturers, and the charm of the interior lies in its flow, creating an efficient office atmosphere.

Hooked up the ceiling plance of non-standard chart



## VARIOUS CEILING CEILINGS

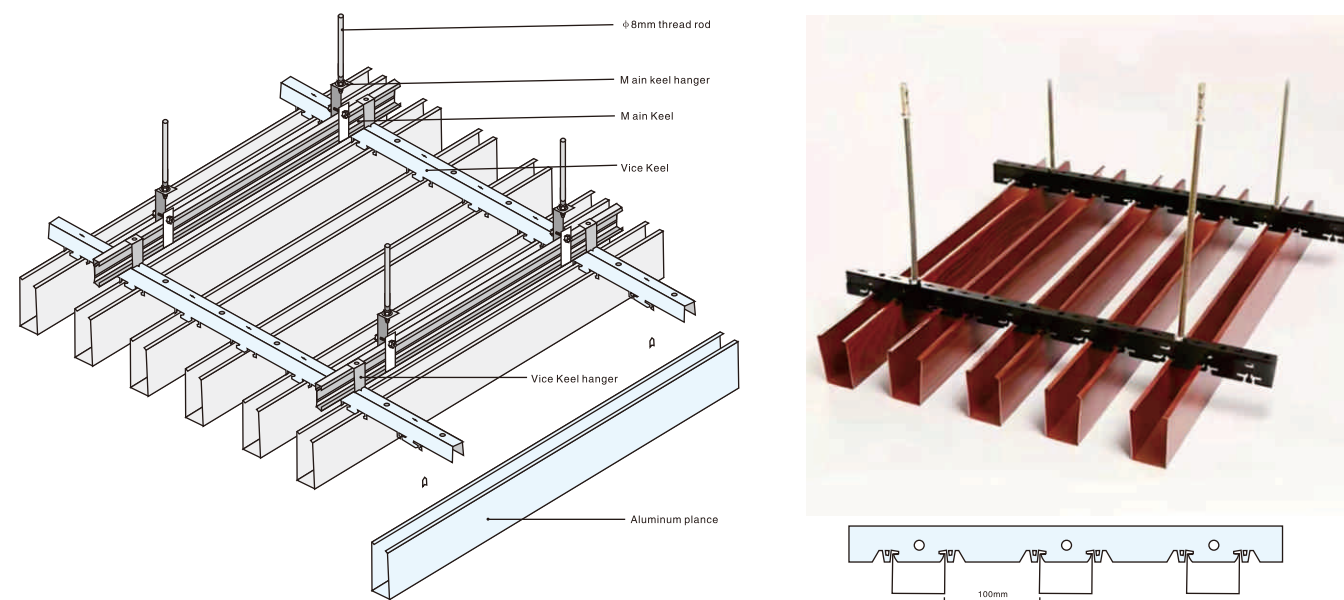


### U-SHAPED SQUARE TUBE CEILING SERIES

U型铝方管天花具有开放的视野，通风，透气，其线条明快整齐，层次分明，体现了简约明了的现代风格，安装拆卸简单方便，成为近几年风靡装饰市场的主要产品，型材铝方通有特色铝材通风挤压成型，产品硬度，直线度远远超过其它产品，安装结构为利用上层主骨，以螺丝和特造的构件与型材锤片连接，防风性强，适用于户外装饰（龙骨间距可任意调节）。特殊的铝方通可拉弯成弧形，弧形铝方通的出现为设计师提供更为广阔的构想空间，以创造出更独特美观的作品。

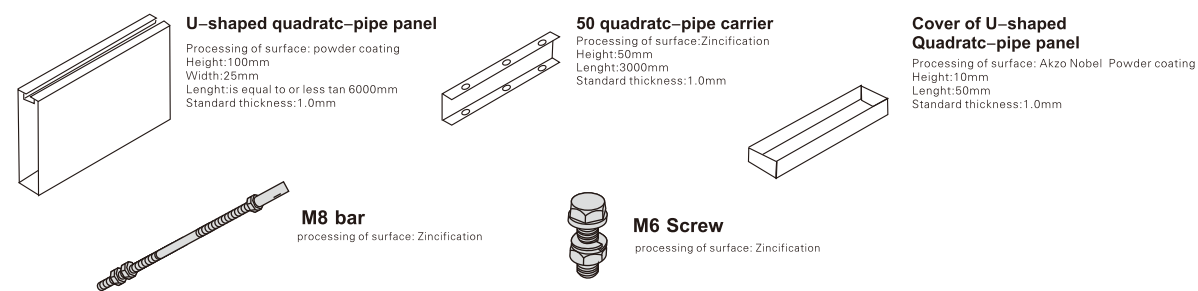
这是一种全新的有别传统的新型天花格条,选用优质铝材,精密加工成型,并提供丰富的色彩选择,开放式的吊顶营造出了优美大方的造型和富于变化的色彩空间,为图书馆、高档写字楼、展厅等场所提供了完美的天花吊顶方案。

### Three dimensional structure drawing of U-shaped square pipe ceiling



Keel with Model U shaped hanging ceiling Portfolio assembly connection diagram

### Assembly parts drawing



### Product features

- Keel: 40mm high, 20mm wide, 0.4mm thick, made of hot-dip galvanized paint, modulus 100/150mm.
- Plate: thickness of 0.7mm or 1.0mm, height of 70mm, width of 50mm, length as required (up to 8000mm).
- Color: Color selection can refer to the color card.
- Lifting system: 6mm or 8mm screw.
- Punching:--
- Integrated system: It is recommended to install lighting and air-conditioning equipment above the ceiling, or install the lighting equipment separately under the ceiling.
- Minimum headroom: 200mm
- Keel spacing: 1200mm in the middle, less than 300mm against the wall
- Boom distance: 1200X1200mm

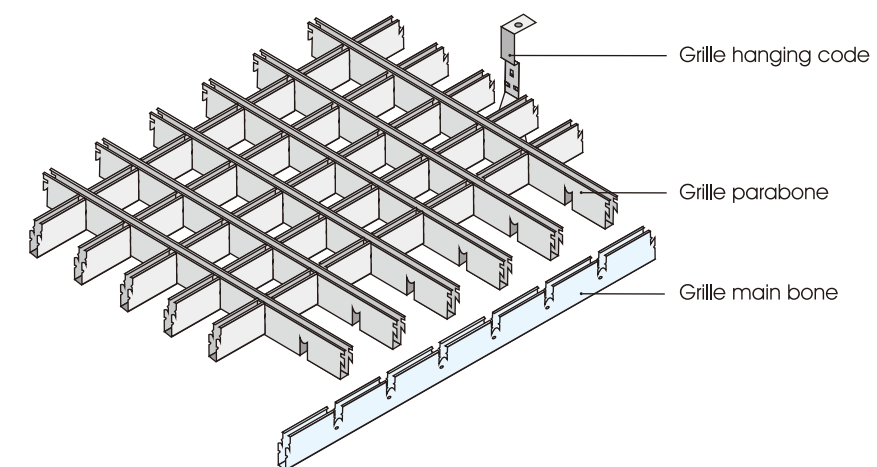
## VARIOUS CEILING CEILINGS



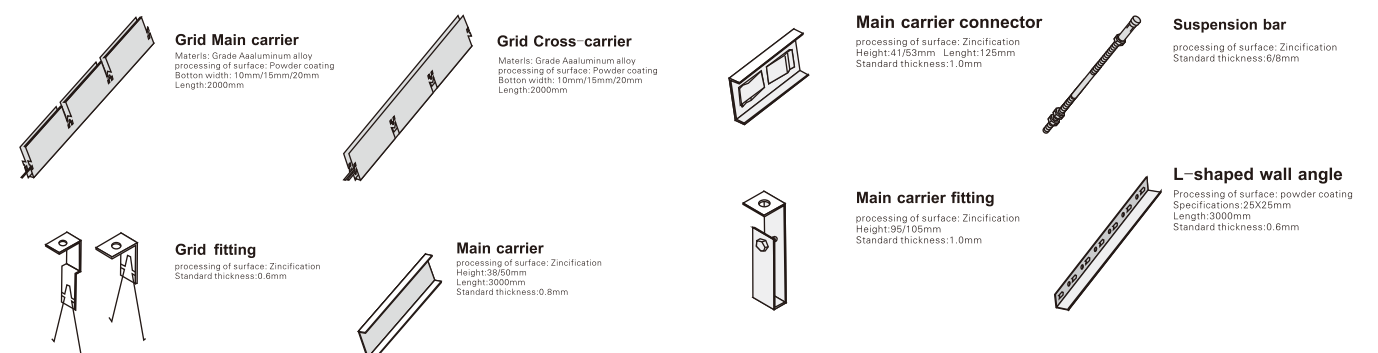
### GRILLE CEILING SERIES

The grille ceiling series main and auxiliary keels are distributed vertically and horizontally, with clear layers, strong three-dimensional sense, novel shape, fire and moisture, and good ventilation. Say goodbye to the shortcomings of traditional assembly and disassembly difficulties and keel deformation. The combined grille ceiling is an open grid design, and the entire top grid is mainly composed of the combination of the primary frame, the secondary frame, the secondary frame, the middle upper bone and the middle lower bone. It is very convenient for the top to have air conditioning, fire protection and other pipe and electrical maintenance. Suitable for: suitable for ceiling decoration in various large shopping malls, leisure clubs, sprinkler bars, airports, writing buildings and other places.

### Three-dimensional structure diagram of the grille ceiling



### Assembly parts drawing



## VARIOUS CEILING CEILINGS



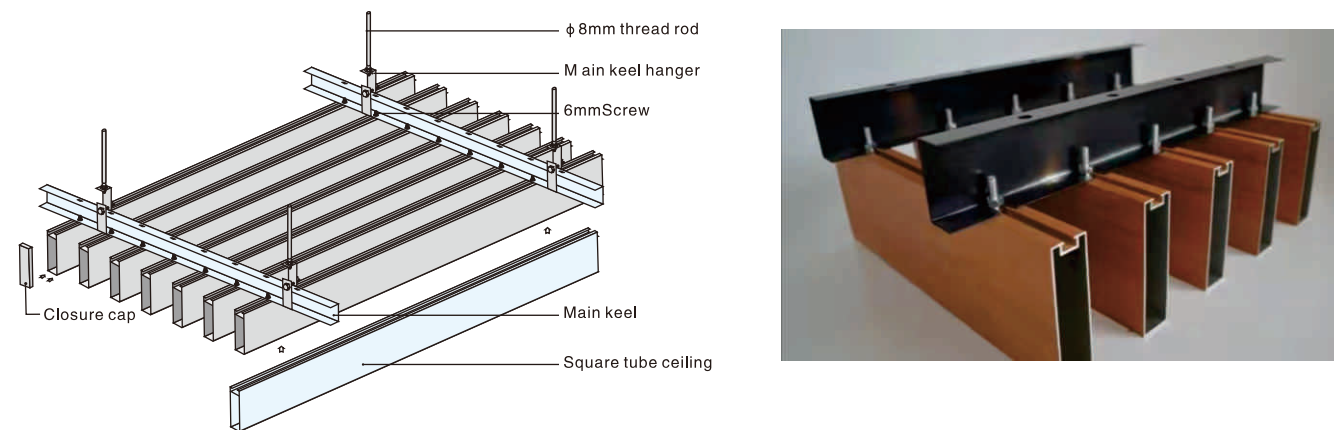
SQUARE THROUGH SMALLPOX  
SQUARE PASS BARRIER  
SERIES

Aluminum fangtong ceiling is a kind of decorative draped curtain type ceiling ceiling, bright and flowing lines, overall transparency, peace, rich color. Choosing the appropriate height and the appropriate visual angle can produce the curtain effect, so that the design changes are thousands of and the effect is beautiful.

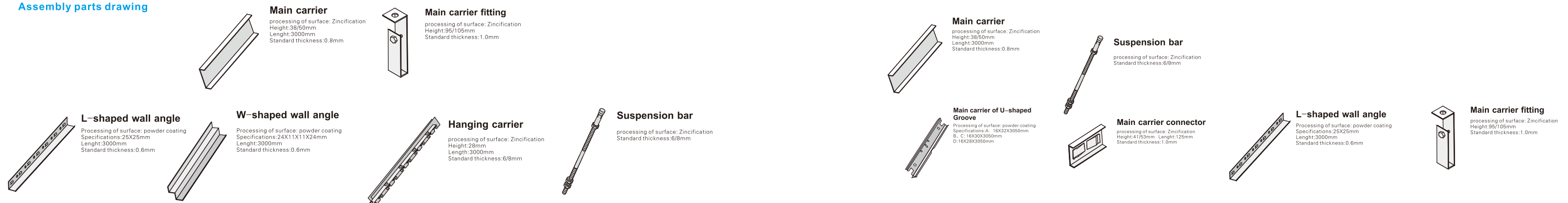
Aluminum square tong has clear layers, beautiful and generous, simple lines, durable, good ventilation effect, flexible assembly and disassembly, can adjust the visual height according to user requirements, which is conducive to the lighting effect of the space and the installation of fire sprinkler, air conditioning series and other facilities.

Applicable places: corridors, walking bars, shopping malls, office buildings, libraries, clubs, squares, exhibitions, subway stations, airports and other places.

### Three dimensional structure drawing of square pipe ceiling



### Assembly parts drawing



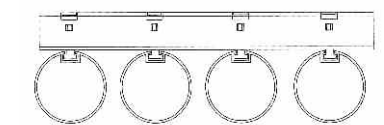
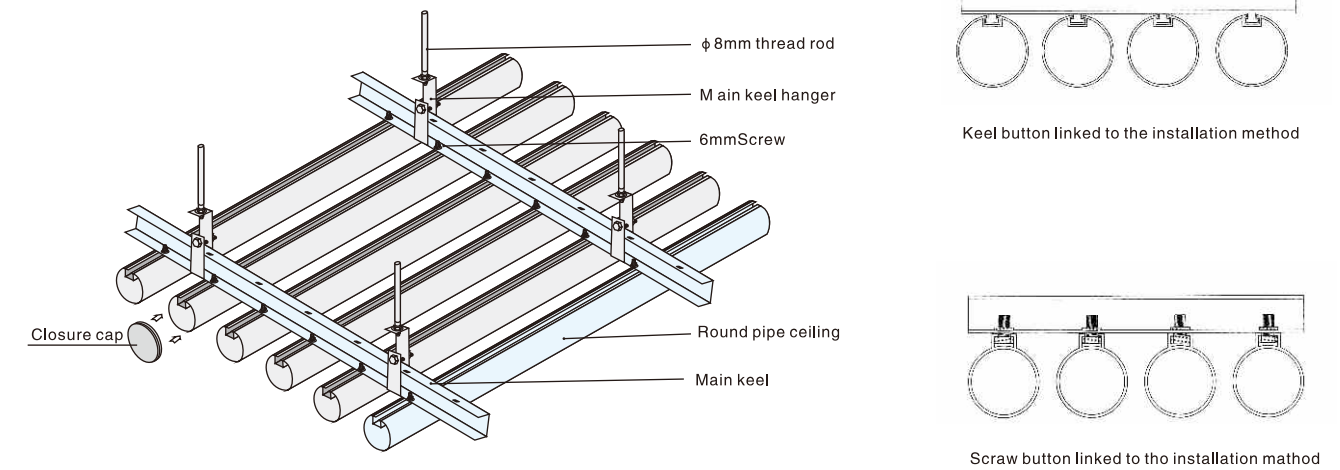
## VARIOUS CEILING CEILINGS



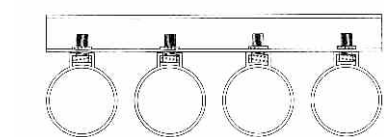
ROUND TUBE CEILING  
ROUND TUBE BARRIER  
SERIES

Aluminum round tube ceiling is an emerging ceiling decoration product in the industry, the diameter is 40, 50, 60mm, the length can be up to 6 meters, the actual size is produced according to customer requirements, the thickness is 0.7--1.0 surface treatment can be powder material, can also be painted. It has a soft and sleek appearance, open and transparent structure, simple and generous, so that the design changes a lot, the whole building space is wide and transparent, more fashion sense of the aluminum ceiling industry. With C50 grooved black painted keel, the structure is tight, the wind resistance is strong, and it has a good barrier effect, which is convenient for repairing electrical appliances and pipelines in the aluminum sky. The whole product is light weight, simple installation, and can adjust the spacing at will. It is suitable for installation and use in public places such as subways, airports, station waiting halls, shopping centers, large exhibition halls, shopping malls, corridors and so on.

### Three dimensional structure drawing of round pipe ceiling

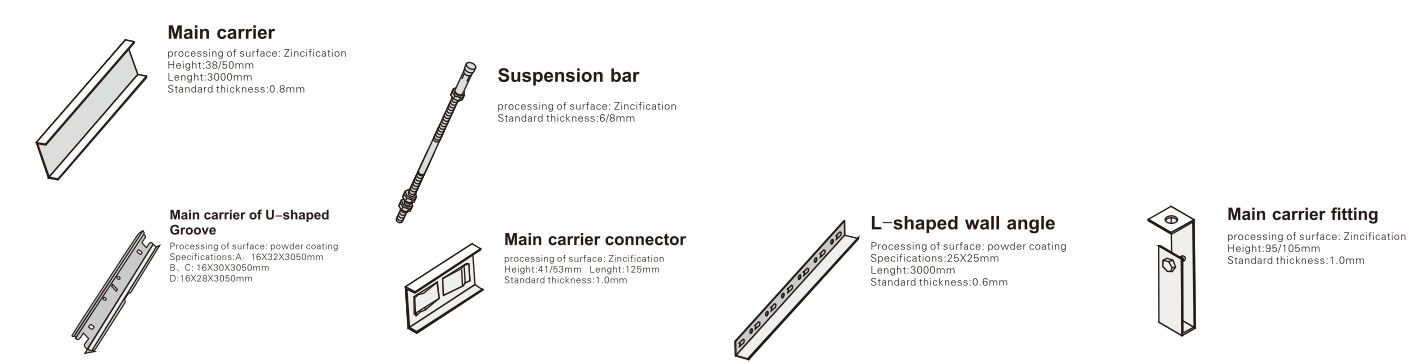


Keel button linked to the installation method



Screw button linked to the installation method

### Assembly parts drawing



### Product features

Keel: 40mm high, 20mm wide, 0.4mm thick, made of hot-dip galvanized paint, modulus 100/150mm.

Plate: thickness of 0.7mm or 1.0mm, height of 70mm, width of 50mm, length as required (up to 8000mm).

Color: Color selection can refer to the color card.

Lifting system: 6mm or 8mm screw.

Punching:--

Integrated system: It is recommended to install lighting and air-conditioning equipment above the ceiling, or install the lighting equipment separately under the ceiling.

Minimum headroom: 200mm

Keel spacing: 1200mm in the middle, less than 300mm against the wall

Boom distance: 1200X1200mm

VARIOUS CEILING  
CEILINGS

HANGING TABLETS  
WATER DROP CEILING SERIES

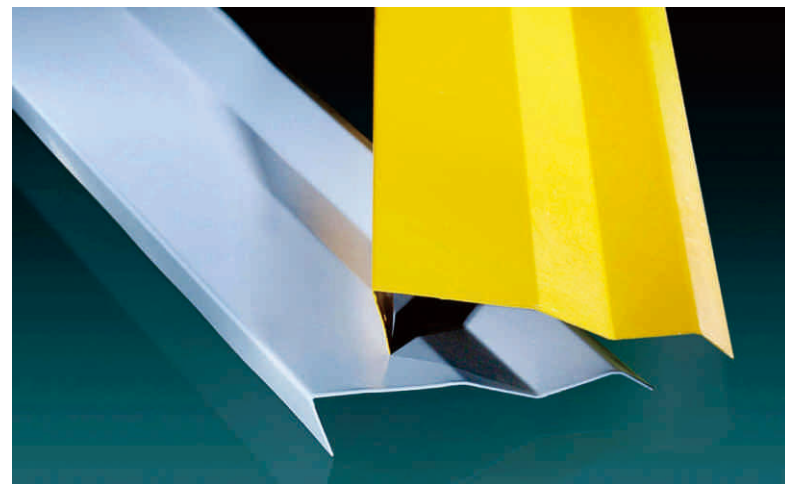
Standard pendant ceilings are quick and easy to install by simply pushing one side of the pendant against the keel bayonet upwards. And the surface through special treatment, not easy to accumulate dust, easy to clean, at the same time disassembly can also be disassembled at will.

Features: Standard pendant ceiling is a decorative draped curtain ceiling, its decorative effect can make the daylight or light of the room become uniform and soft. This kind of ceiling has an overall feeling, because this kind of ceiling can be disassembled at will, so it does not affect the maintenance of hidden pipes and power cables on the floor.

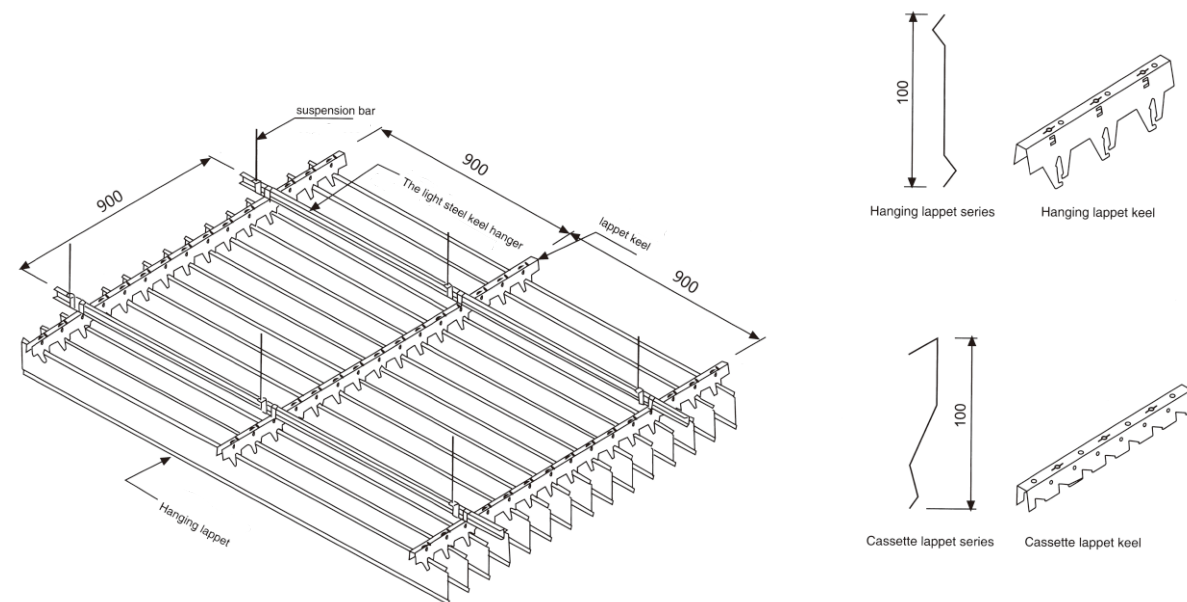
Specifications: Standard pendant ceiling has 4 specifications of 100mm, 120mm, 150mm and 200mm, and the surface is made of winding, double-sided spraying or roller coating. The raw material is high-quality aluminum alloy plate 3003H24, which is formed by one roll. The length can be processed to 6000mm.

Material selection: the standard pendant ceiling is equipped with a special lifting keel, and the keel material is selected from high-quality aluminum gold plate 3003H24, which is formed by stamping and rolling at one time, and its surface is still made of chromated powder spraying or polyurethane roller coating.

Application: Pendant ceilings are widely used in airports, stations, corridors, passages, underground shopping malls, and other places.



Hanger hoisting schematic diagram



VARIOUS CEILING  
CEILINGS

STRIP BUCKLE CEILING  
SERIES

Beautiful shape: beautiful appearance and a variety of colors, clear and smooth lines, various shapes, with dozens of standard colors, can combine a variety of decorative styles, shape different vision

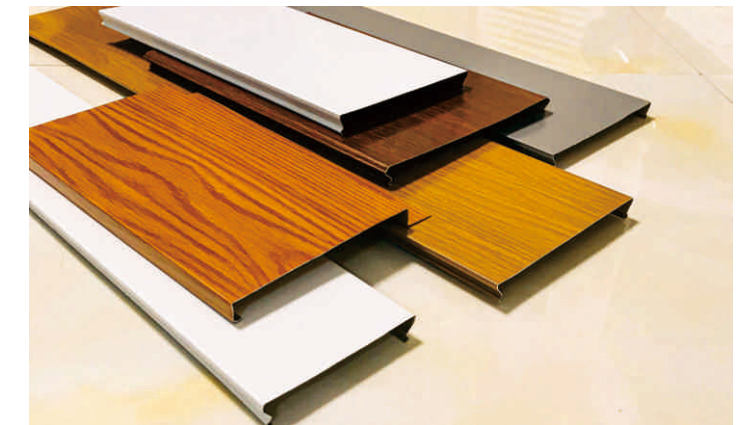
Effect, strong practicality, low energy consumption: standard keel snap-on structure, flat appearance, no gaps.

General specifications Size

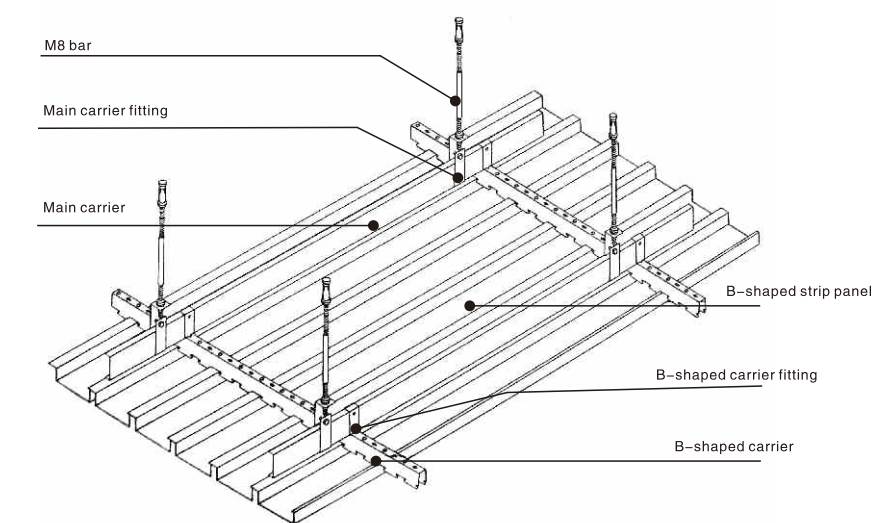
bevel (Beveled) 100mm,150mm,200mm,300mm,  
right angle (Right) 100mm,150mm,200mm,300mm,

Application

Home, hall, office building, office building, shopping mall,  
bank, museum, gymnasium,  
Exhibition halls, subways, airports.



Installation diagram



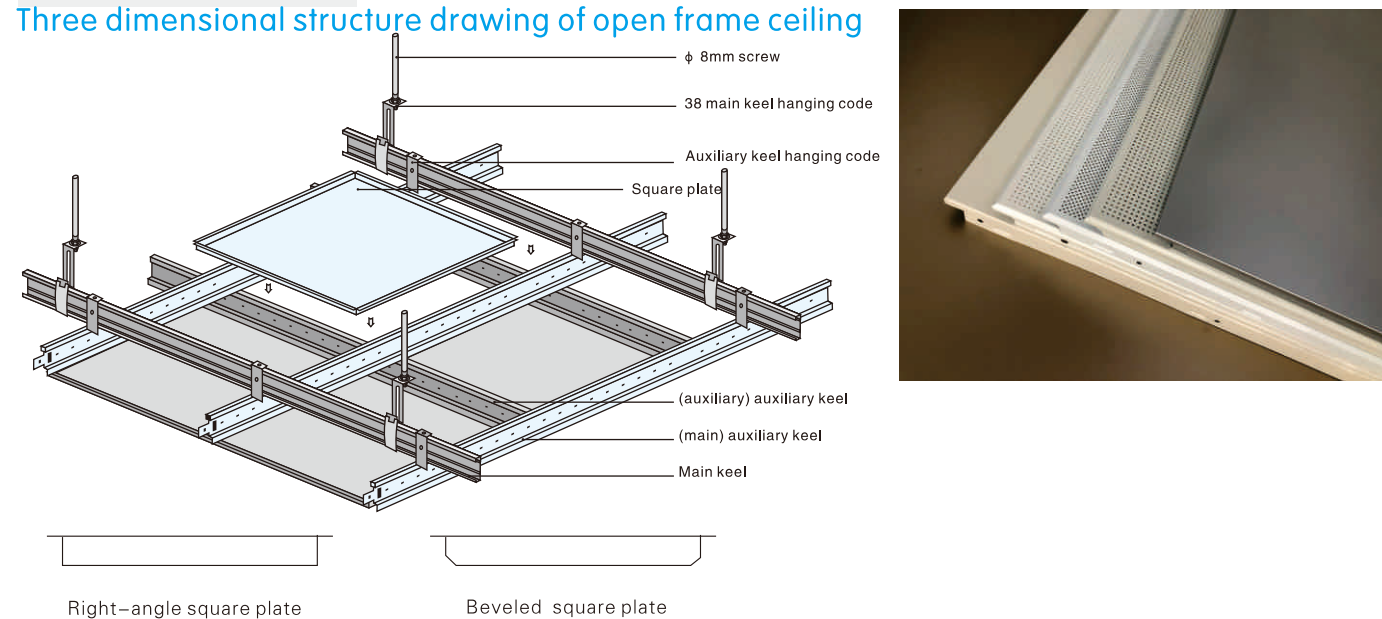
## VARIOUS CEILING CEILINGS



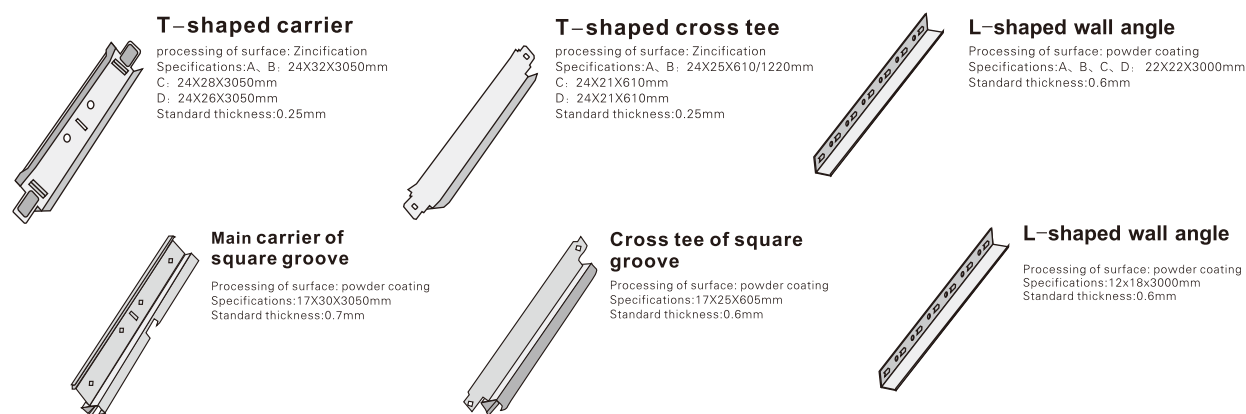
OPEN CEILING SERIES

Square plate open frame ceiling overall plan effect is good, simple and beautiful lines, easy installation characteristics, widely used in office buildings, shopping malls, railway stations, airports, large clubs and other occasions. The sound insulation and sound absorption coefficient is as high as 0.5–0.82AS, and the composition is exquisite, which is suitable for venues and shopping malls. It is a Class A non-combustible material after fire testing. The board surface is beautiful, elegant and generous, high precision, and the decorative effect is comparable to similar products in the world. No harmful gases and harmful substances, harmless to the human body. Waterproof and moisture-proof, washed without decolorization and deformation. Easy installation, can be sawed and cut, simple decoration, maintenance party

### Three dimensional structure drawing of open frame ceiling



### Assembly parts drawing



### Product features

- Keel: 40mm high, 20mm wide, 0.4mm thick, made of hot-dip galvanized paint, modulus 100/150mm.
- Plate: thickness of 0.7mm or 1.0mm, height of 70mm, width of 50mm, length as required (up to 8000mm).
- Color: Color selection can refer to the color card.
- Lifting system: 6mm or 8mm screw.
- Punching: --
- Integrated system: It is recommended to install lighting and air-conditioning equipment above the ceiling, or install the lighting equipment separately under the ceiling.
- Minimum headroom: 200mm
- Keel spacing: 1200mm in the middle, less than 300mm against the wall
- Boom distance: 1200X1200mm

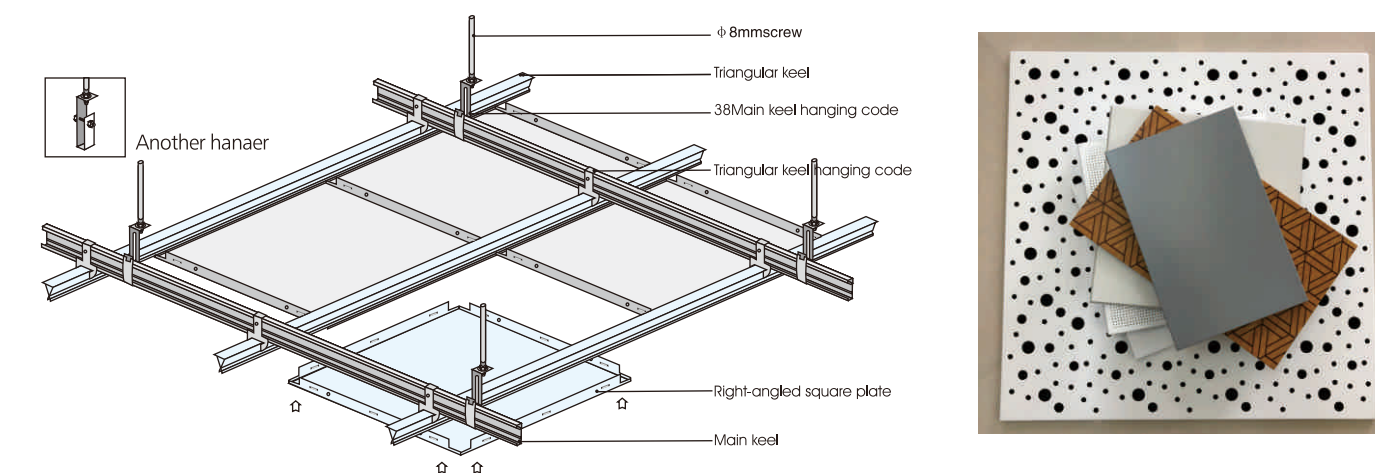
## VARIOUS CEILING CEILINGS



CONCEALED CEILING SERIES

Square ceiling with its many styles, good overall plan effect, simple and beautiful lines, easy installation characteristics, widely used in office buildings, shopping malls, railway stations, airports, large clubs and other occasions. The sound insulation and sound absorption coefficient is as high as 0.5–0.82as, and the composition is exquisite, suitable for venues and shopping malls. It is a Class A non-combustible material after fire testing. The board surface is beautiful, elegant and generous, high precision, and the decorative effect is comparable to similar products in the world. No harmful gases and harmful substances, harmless to the human body. Waterproof, strong moisture resistance, no decolorization and no deformation when washed with water. Easy installation, sawable and shearable, simple decoration, easy maintenance.

### Three-dimensional structure diagram of the dark shelf ceiling



### Instructions for installation and use of the dark frame ceiling

1. Measure the elevation of the square plate aluminum ceiling after installation according to the design requirements, determine the horizontal line, and fix the corner on the horizontal line wall.
2. Determine the construction direction, and find the lifting hole on the bottom surface of the building roof structure according to the standard < 1200mm spacing, and fix the boom with expansion bolts.
3. Fix the light steel keel hanger and light steel keel, and adjust the light steel keel to horizontal, and adjust the elevation of the light steel keel at the same time, and each keel is parallel to each other.
4. Hang the auxiliary keel (matching) hanging on the light steel keel, and at the same time jam the main dragon tube, fix the elements, and fine-tune the level of the main keel with eye t. Note that the keel and the light steel keel are perpendicular to each other, and the main keels are parallel to each other. To keep it clean, there can be no unclean phenomena such as sweat and oil.
5. Install the ceiling, hit both sides of the ceiling with keel buckles, gently tap the edge of the square plate upward in the groove of the main keel, until the keel is stuck on the buckle on the square plate, pay attention: keep your hands clean when installing the ceiling, and there can be no unclean phenomena such as sweat and oil.

### Product features

- Keel: 40mm high, 20mm wide, 0.4mm thick, made of hot-dip galvanized paint, modulus 100/150mm.
- Plate: thickness of 0.7mm or 1.0mm, height of 70mm, width of 50mm, length as required (up to 8000mm).
- Color: Color selection can refer to the color card.
- Lifting system: 6mm or 8mm screw.
- Punching: --
- Integrated system: It is recommended to install lighting and air-conditioning equipment above the ceiling, or install the lighting equipment separately under the ceiling.
- Minimum headroom: 200mm
- Keel spacing: 1200mm in the middle, less than 300mm against the wall
- Boom distance: 1200X1200mm

# VARIOUS CEILING CEILINGS

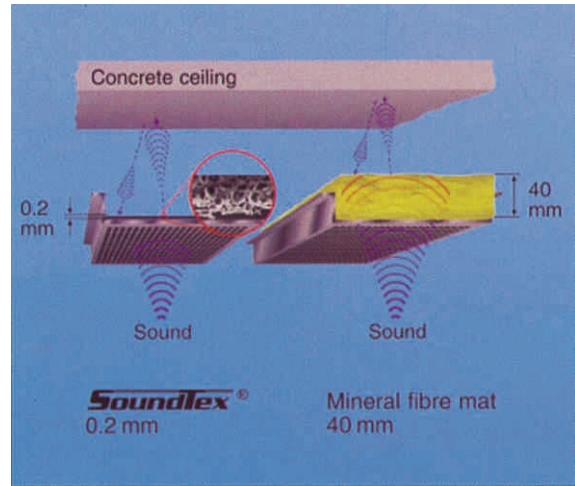


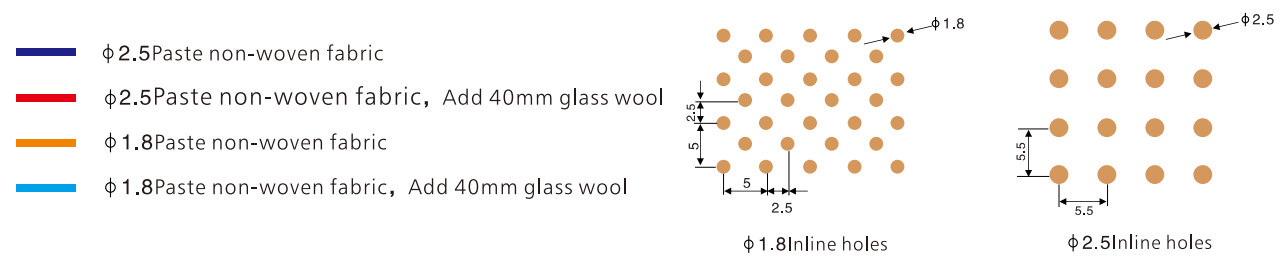
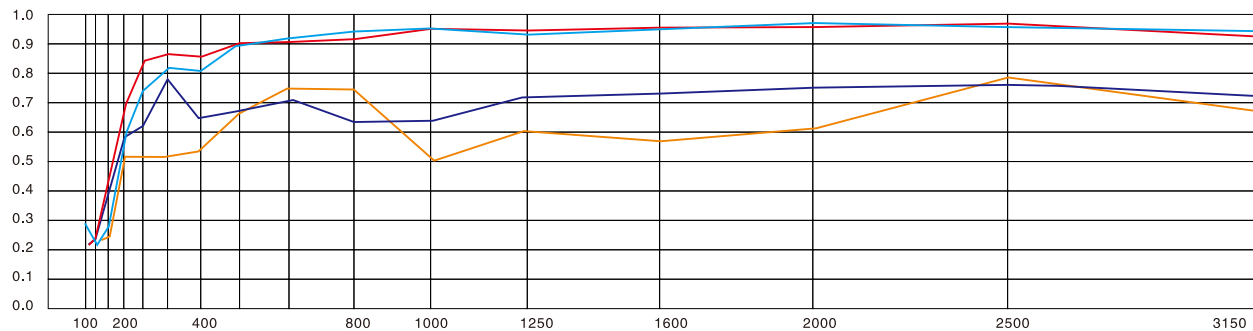
Figure B: The energy conversion process of sound on sound-absorbing materials

## Sound absorption system

Punched metal ceiling products can effectively solve the noise problem. When the source of the noise is within the specified sound absorption range, the noise passes through the sound insulation material, and friction is generated to convert the sound wave energy into thermal energy, low sound wave value from the bottom up. In an outdoor or indoor environment, the punching form of the ceiling and the difference in sound-absorbing materials will affect its sound-absorbing ability and characteristics. Different punching modes and composition of sound-absorbing materials are ultimately designed to meet different levels of sound absorption needs.

Sound absorption refers to absorbing most of the sound and reducing the reflection of sound waves. As shown in Figure A, a very good sound insulation effect can be achieved using very thin sound-absorbing materials. The punched ceiling is composed of a variety of patterns according to the arrangement of punching holes, with novel composition and excellent sound reduction and noise reduction effect. As shown in Figure B, adding 40mm thick glass fiber on the basis of non-woven fabrics has better sound and noise reduction effect.

## Sound absorption coefficient



## Sound-absorbing non-woven fabric

SoundTex sound-absorbing nonwovens reduce the acoustic impedance of perforated ceilings to the same level as that of air. Forcing sound waves through the nonwoven structure creates friction that causes a loss of function and thus reduces the sound wave value. SoundTex's slim profile makes processing and installation extremely easy. It can be affixed directly to the ceiling at the factory, saving transportation costs and reducing the workload on the engineering site.

## Advantages特点

The ultra-thin graphic design and negligible size reduce storage and transportation costs compared to glass wool.

This can be cut into sheets or coils of any width according to the user's needs. Less manual cutting, can meet the needs of users with large amounts of automated production. It has good air permeability and will not hinder the ventilation effect. This feature gives designers more choices when deciding on air inlet and outlet. And because SoundTex can be adapted to any type of ceiling, it gives designers more freedom.

Because SoundTex is breathable, indoor air is kept circulating and exchanged, which reduces the possibility of condensation droplets on the back of the ceiling. The ceiling can be easily and quickly removed for easy maintenance and service.

SoundTex's fibers are firmly bonded, reducing the risk of human breathing fiber dust. When replacing ceilings, there is very little waste due to its insignificant size.

All the indicators of the material are in line with the provisions of GB8624-1997 Building Materials Fuel Performance Grading Method" flame retardant materials, and the combustion performance reaches GB8624R1 grade



图A: SoundTex The sound-absorbing nonwoven material can be attached directly to the ceiling

## Sound absorption coefficient

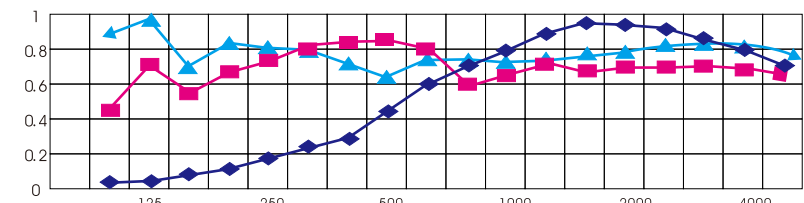
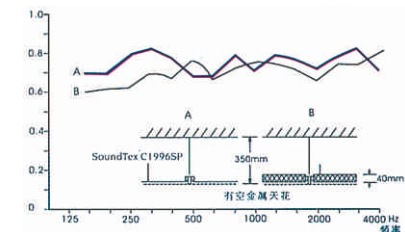


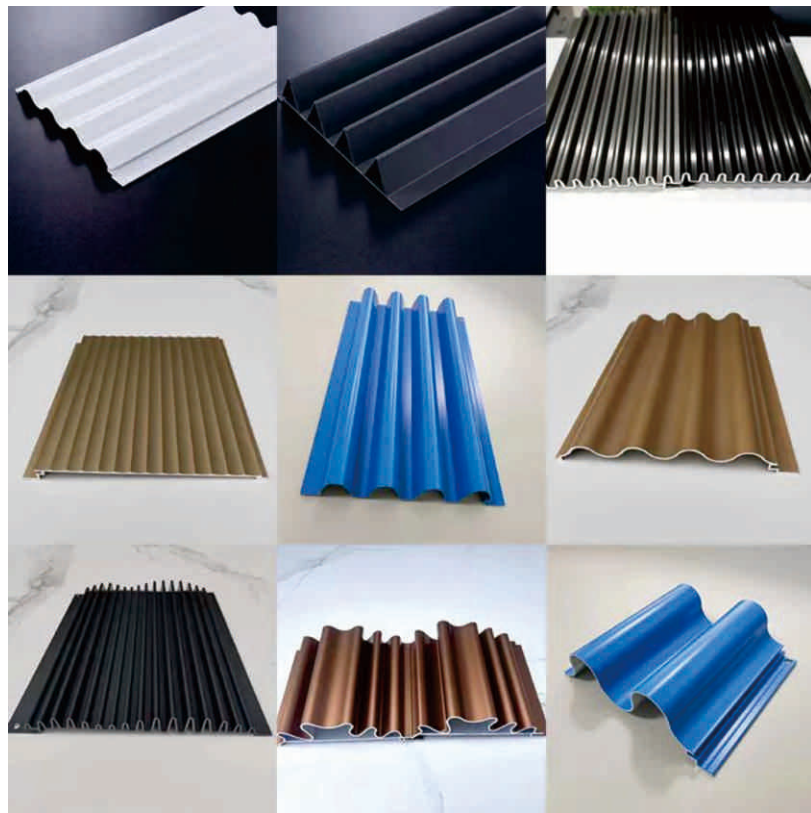
Figure 1 Sound absorption characteristics of different cavities when window hole aluminum plate is pasted non-woven

- Perforated aluminum plate, cavity 50, aperture 3.0mm, perforation rate 20%
- Perforated aluminum plate, cavity 200, aperture 3.0mm, perforation rate 20%
- Perforated aluminum plate, cavity 400, aperture 3.0mm, perforation rate 20%

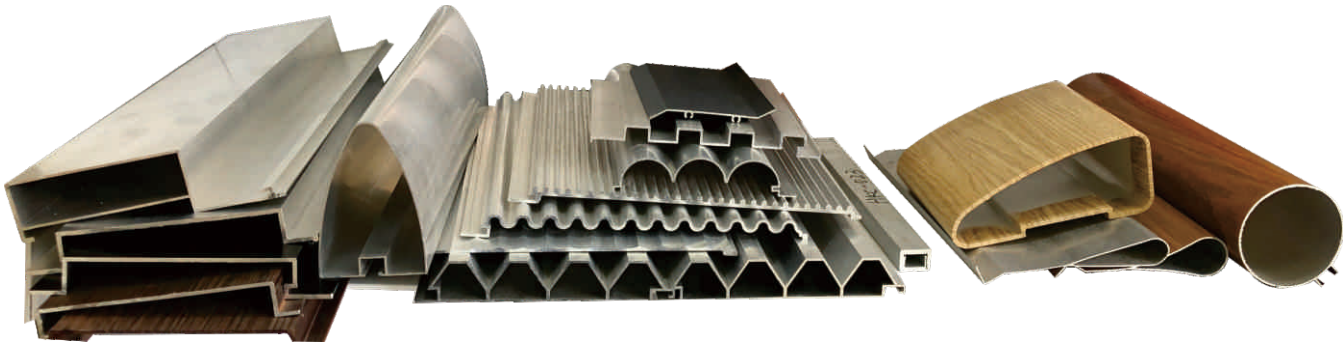
Comparison of sound absorption coefficient of SoundTex nonwoven material and asbestos:  
Curve A: Metal perforated ceiling with SoundTex sound-absorbing nonwoven material.  
Curve B: Metal perforated ceiling with 40mm thickness and 60kg/m3 mineral wool density.



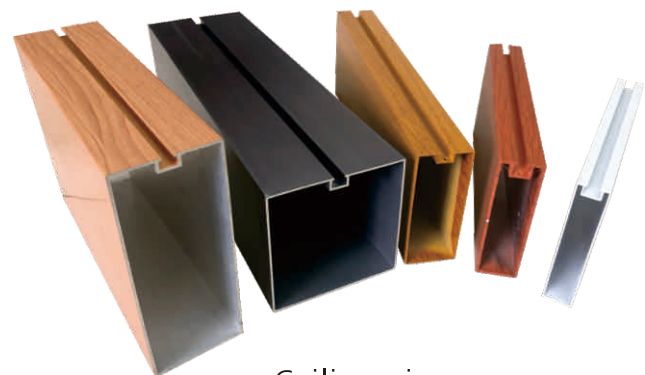
ALUMINUM STYLING  
CUSTOM  
OTHER ALUMINUM STYLING  
SERIES



Products are widely used in various walls, wrapped columns



Strip plates



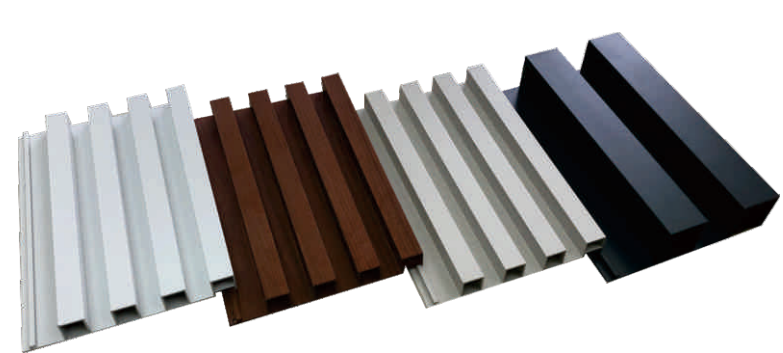
Ceiling pipe



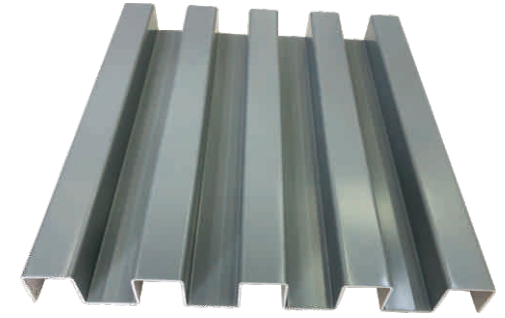
Wave board



Artistic window flowers



Hook up with the Great Wall board



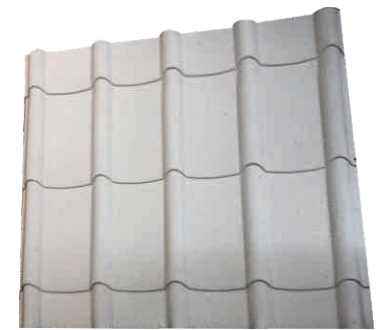
Great Wall plate (aluminum veneer)



Signage



Vents

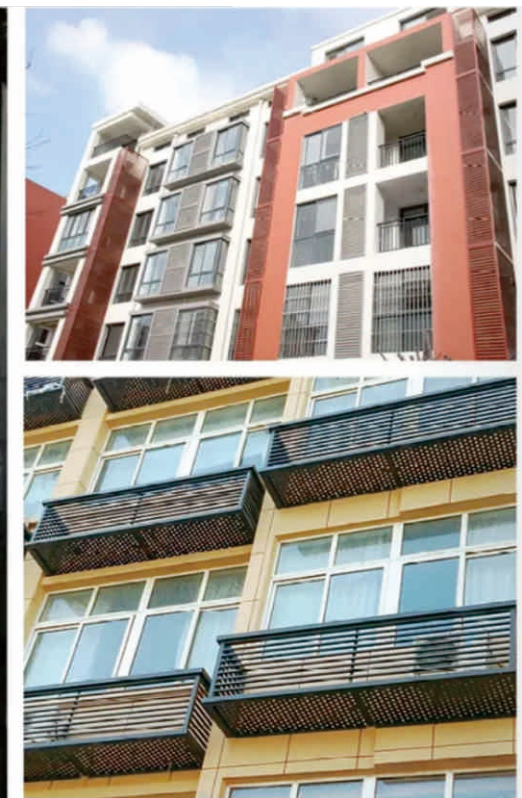
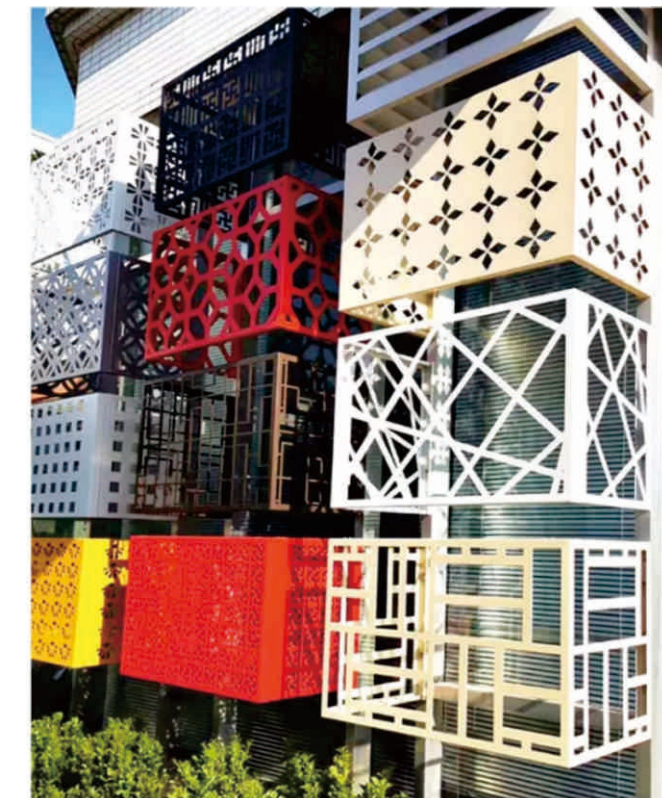
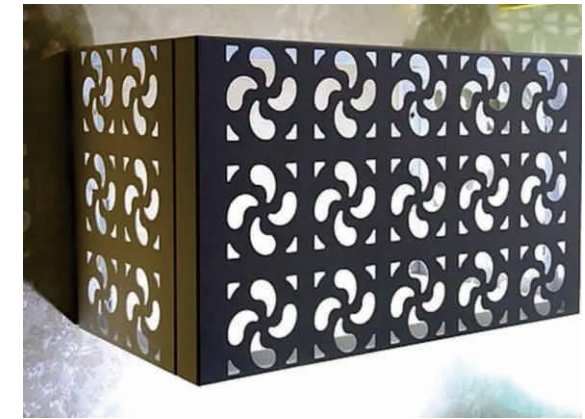


Aluminum tiles

ALUMINUM STYLING  
CUSTOM  
○●

---

ALUMINUM AIR  
CONDITIONER COVER  
SERIES

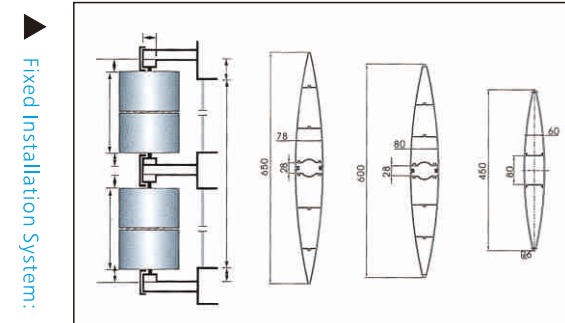
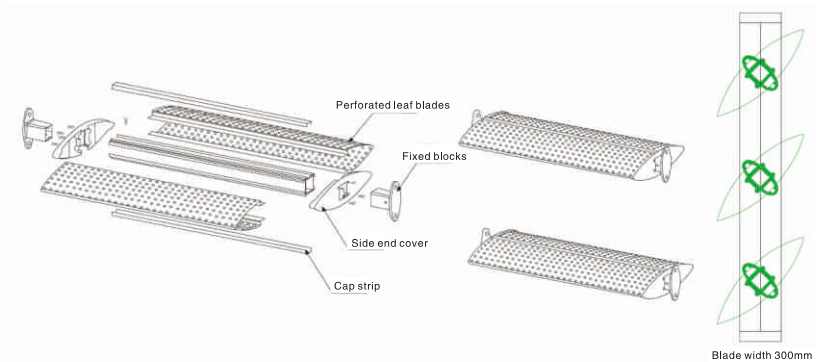




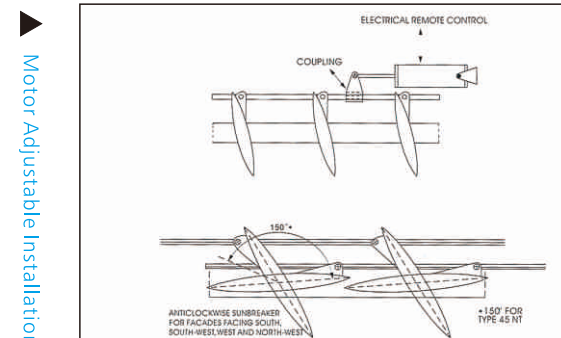
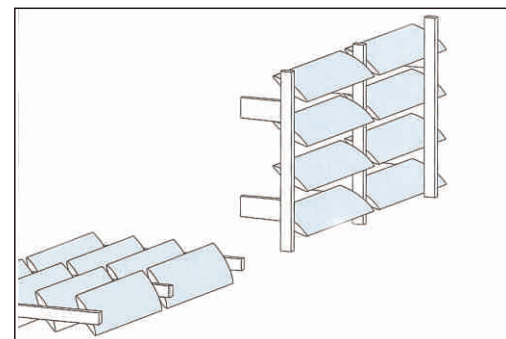
## Product description

System specifications: The standard fusiform (also known as airfoil) shading system consists of six different widths of extruded aluminum alloy blades from 200mm to 450mm in 50mm increments. In addition, blades with widths of 100mm, 150mm and 500mm (non-standard mounting systems) are also available.

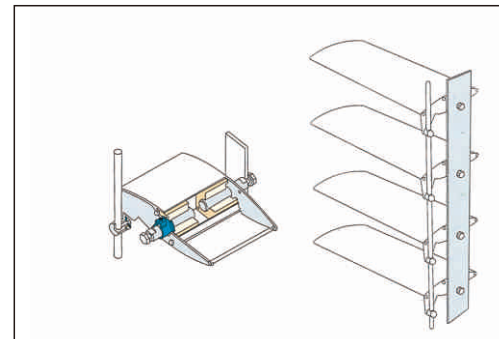
Sheet metal processing olive-shaped louver assembly and finished product drawing



Fixed Installation System:



Motor Adjustable Installation System:



### Technical parameters fixed installation system

Component	Material	Size
Blade	Aluminum profiles	Thickness $\geq$ 1.8mm
End caps	Aluminum sheet	Thickness > 1.5mm
U-shaped sliding fasteners	Aluminum profiles	
Install the disk	Toothed hard PA6.6GF	
Position the fixing plate	Toothed hard PA6.6GF	5 per tooth
Mounting bolts	Stainless steel	M10
Install the fixing brackets	Stainless steel	4.2X16/4.8X16/Rivet
	Electroplate	
Aluminum surface treatment	Powder coating	RAL

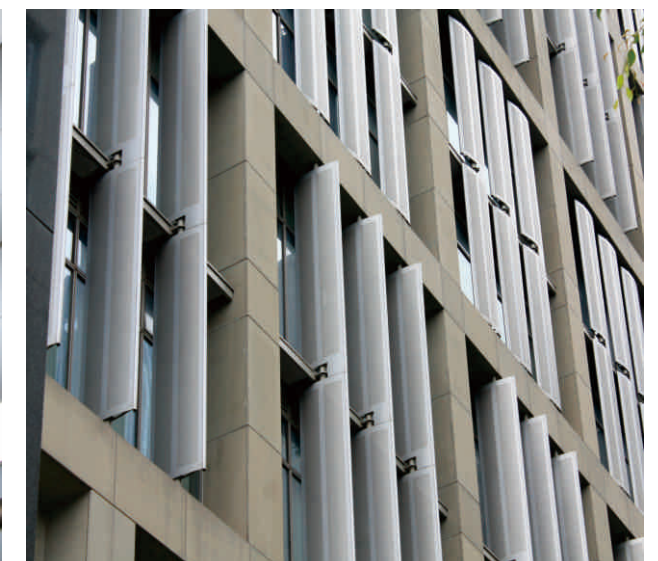
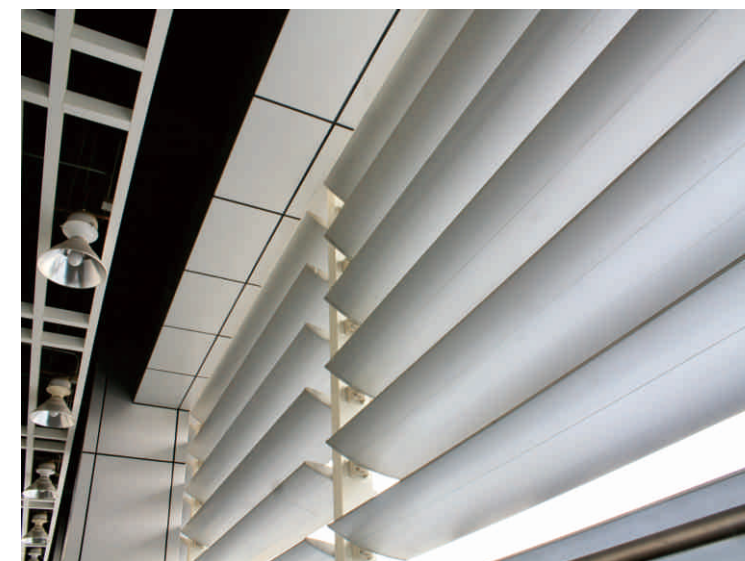
### Motorized adjustable mounting system specifications

Component	Material	Size
Blade	Aluminum profiles	Thickness $\geq$ 1.8mm
End caps	Aluminum sheet	Thickness > 1.5mm
Install the fixing axis	HDPE	
	Stainless steel	
Shaft pins	Toothed hard PA6.6GF	Diameter = 6
	Stainless steel mounting	
Cover end connector	Stainless steel	
Mounting bolts	Stainless steel	4.2X16/4.8X16/Rivet
Drive motor	24V	
Drive rod	Aluminum/stainless steel	
Aluminum surface treatment	electroplate	
	Powder coating	RAL

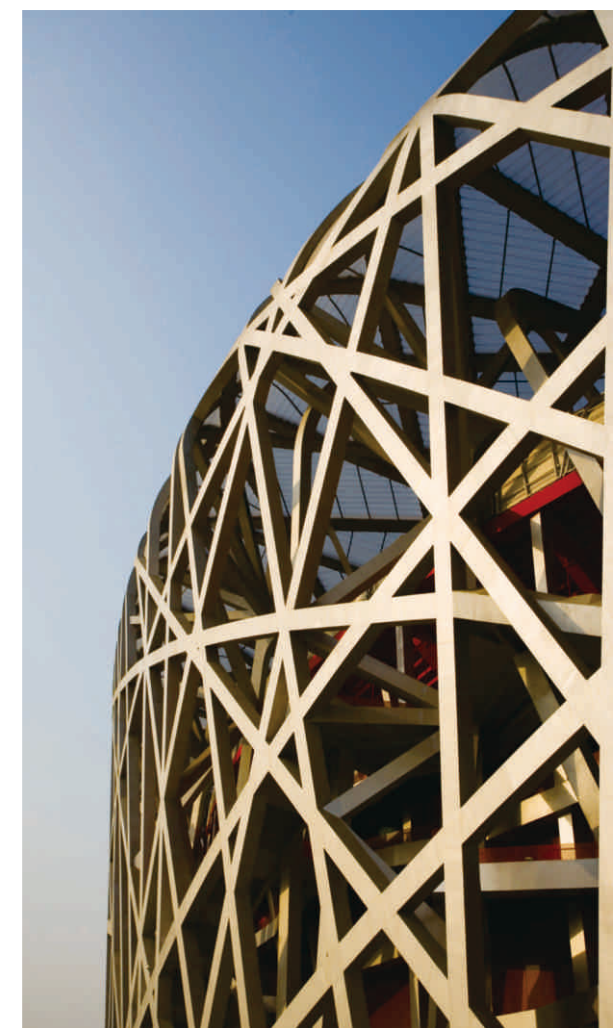
## Installation method

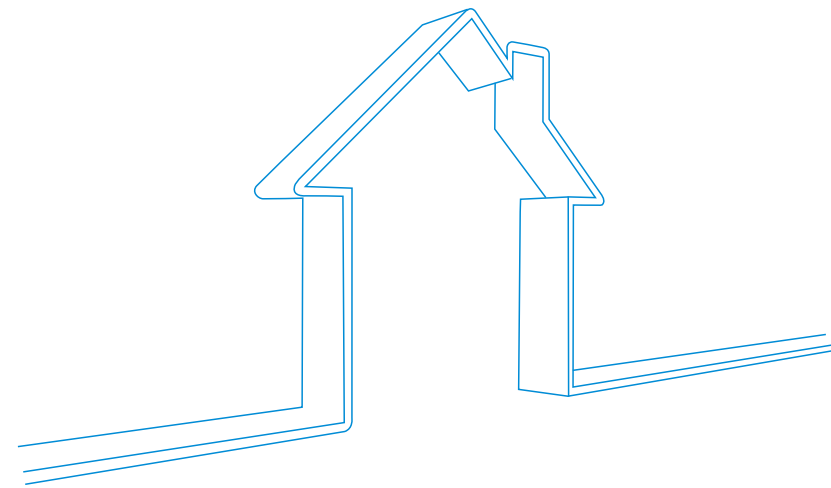
The standard system is available in two mounting options:

1. Fixed installation system: install the blade in a fixed position of the frame. The blade mounting angle can be from 0 to 180 (in increments of 5), and the fixed installation is made after determining the angle. It snaps into the mounting position by sliding the U-shaped mounting buckle on the blades.
2. Mobile adjustable installation system: the blade angle can be adjusted arbitrarily between 0 and 120. The frame on both sides of each blade is equipped with two axles, the blades are fixed to the axle and fastened to the triple crown frame by rows/columns by the axle. The blades are connected to the electric motor via an adjustable drive lever to allow the blades to rotate at the desired angle.



National Stadium (participated in 2006)





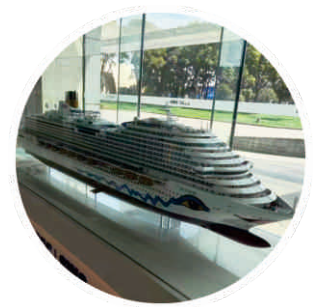
Examples of indoor and outdoor projects 



The company's leaders participated in the steel structure baggage conveyor belt of Capital Airport T3A and T3B airports  
The system was constructed with the German Siemens general contractor

Hong Kong Space Plaza

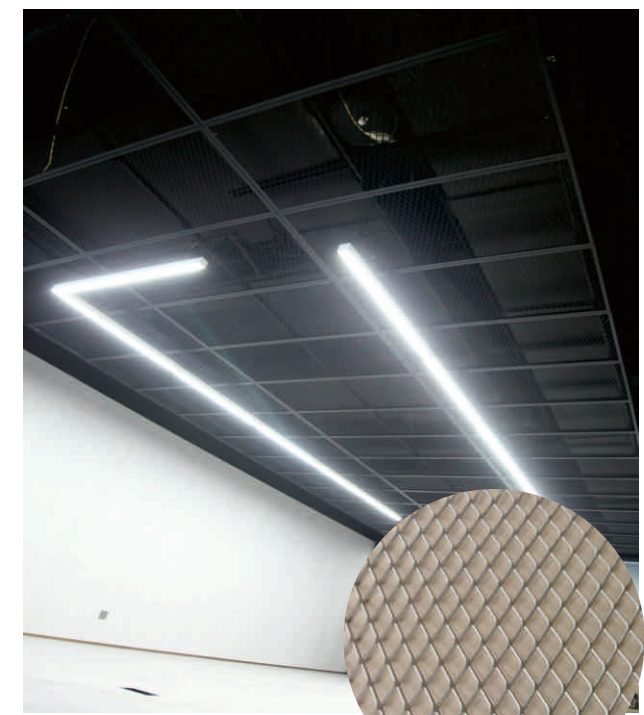
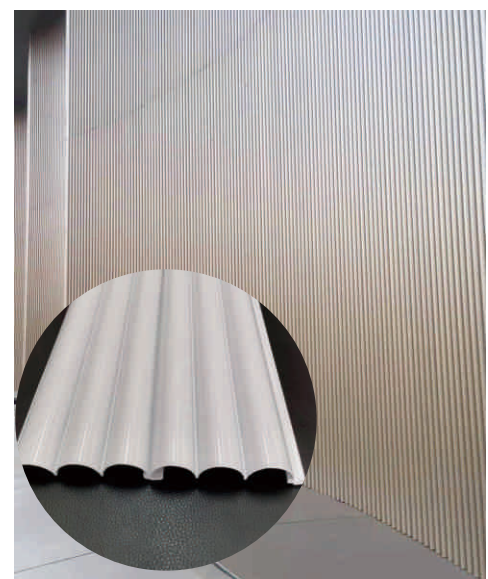


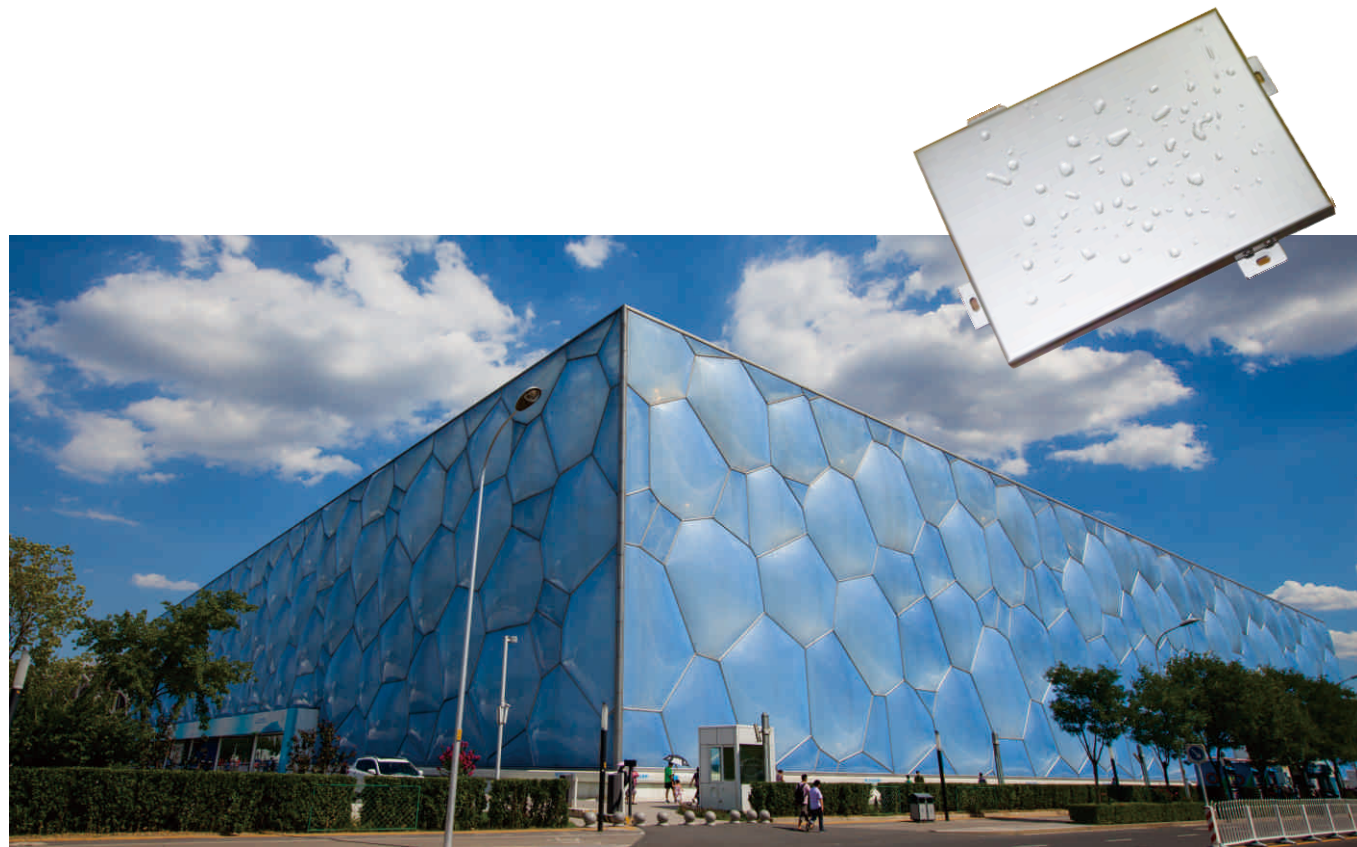


Haijun 0735, Haijun 0806 (coast guard vessel)



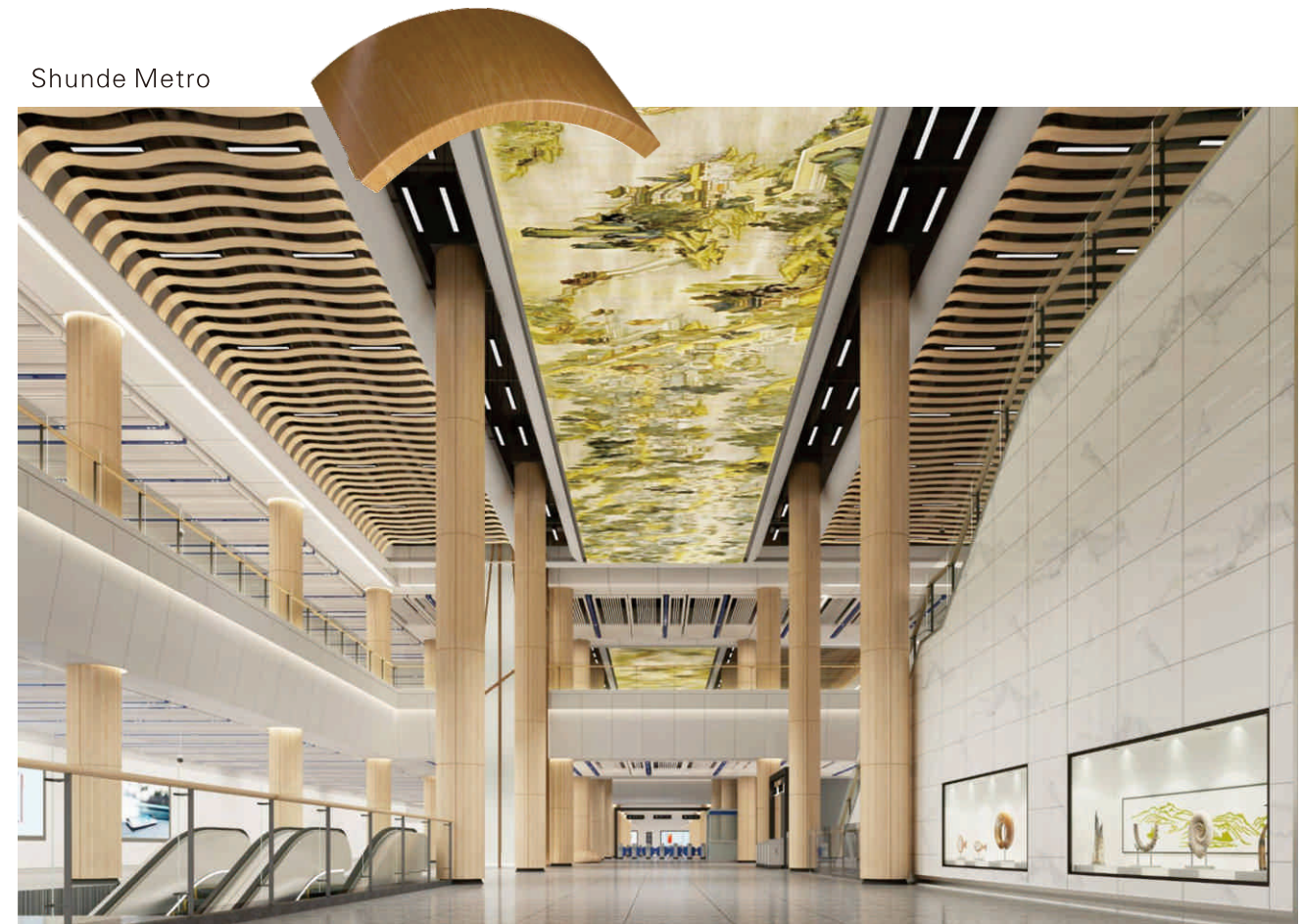
Shenzhen Public Works Department





National Swimming Pool (Water Cube)

Shunde Metro

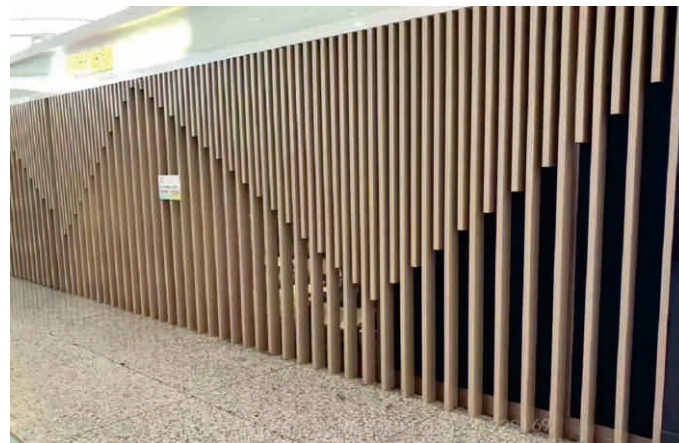
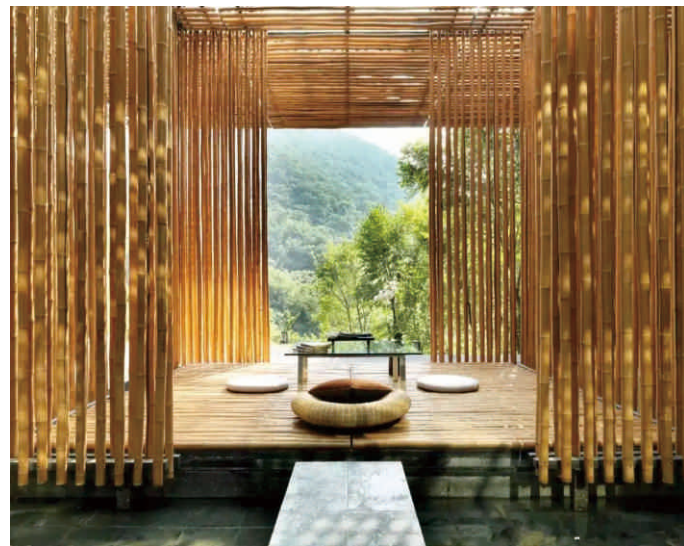
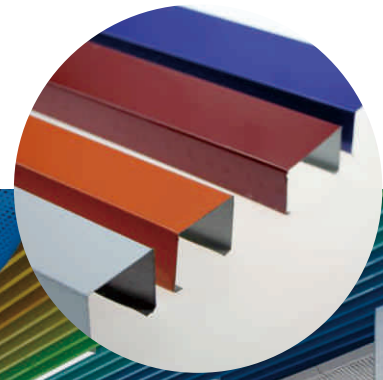


Guangzhou Art Museum New Building (bamboo aluminum honeycomb panel)



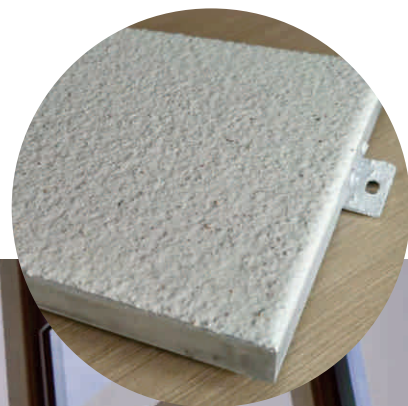
Guangzhou Metro

Shunde Metro

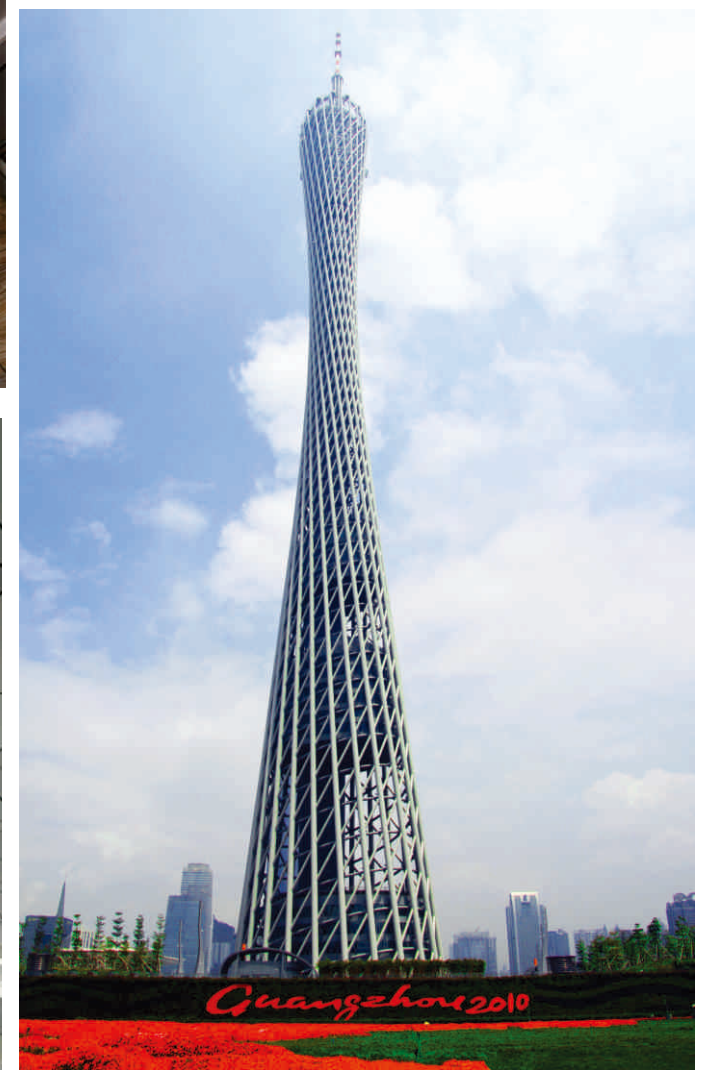
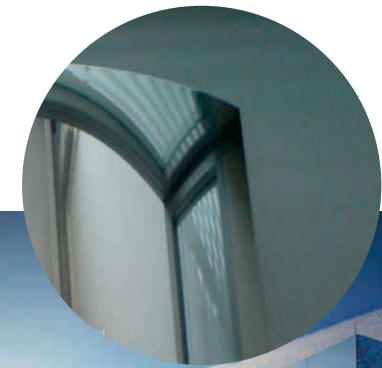
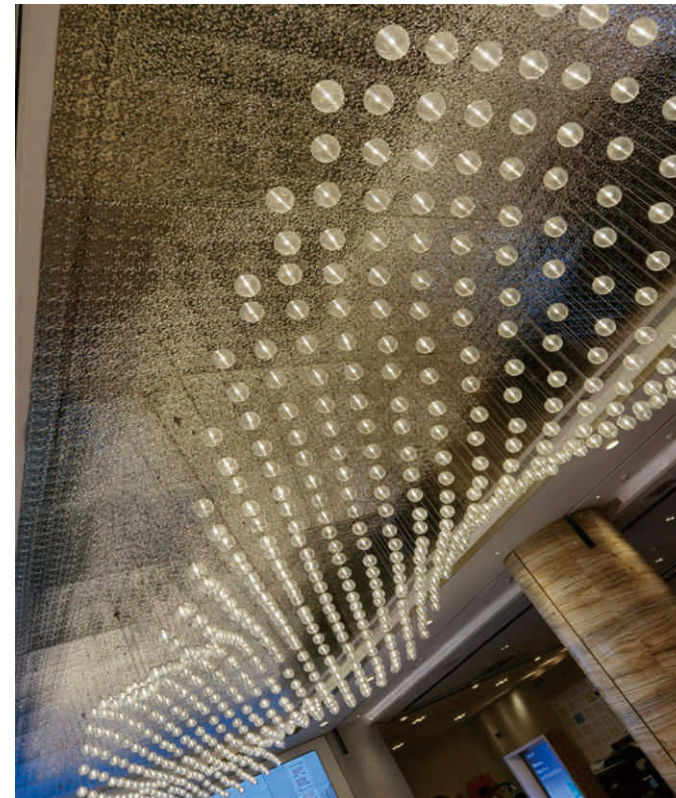


Guangzhou Metro Line 1





A corner of the exterior wall of Kensington, England



Canton Tower

Fuzhou Shuofeng Yifang City



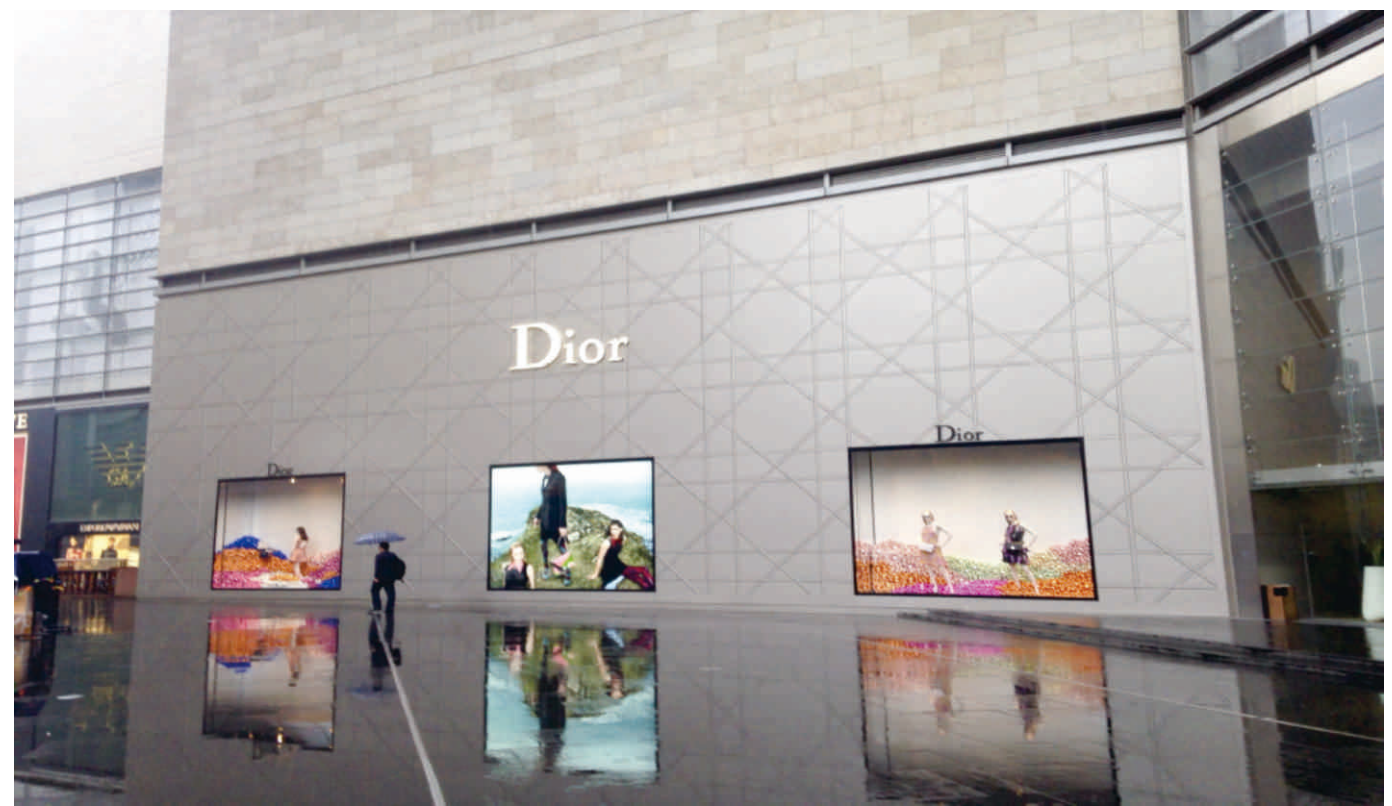
Jin Mao Capital J SPACE interior



OZ Super Shopping Center in Russia



Dior stores



Astana Arena, the capital of Kazakhstan





Shenzhen Fuyong Qiaotou Commercial Pedestrian Street (Great Wall Board)



Xiamen Hongai Hospital (mesh panel)



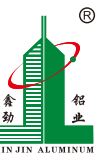
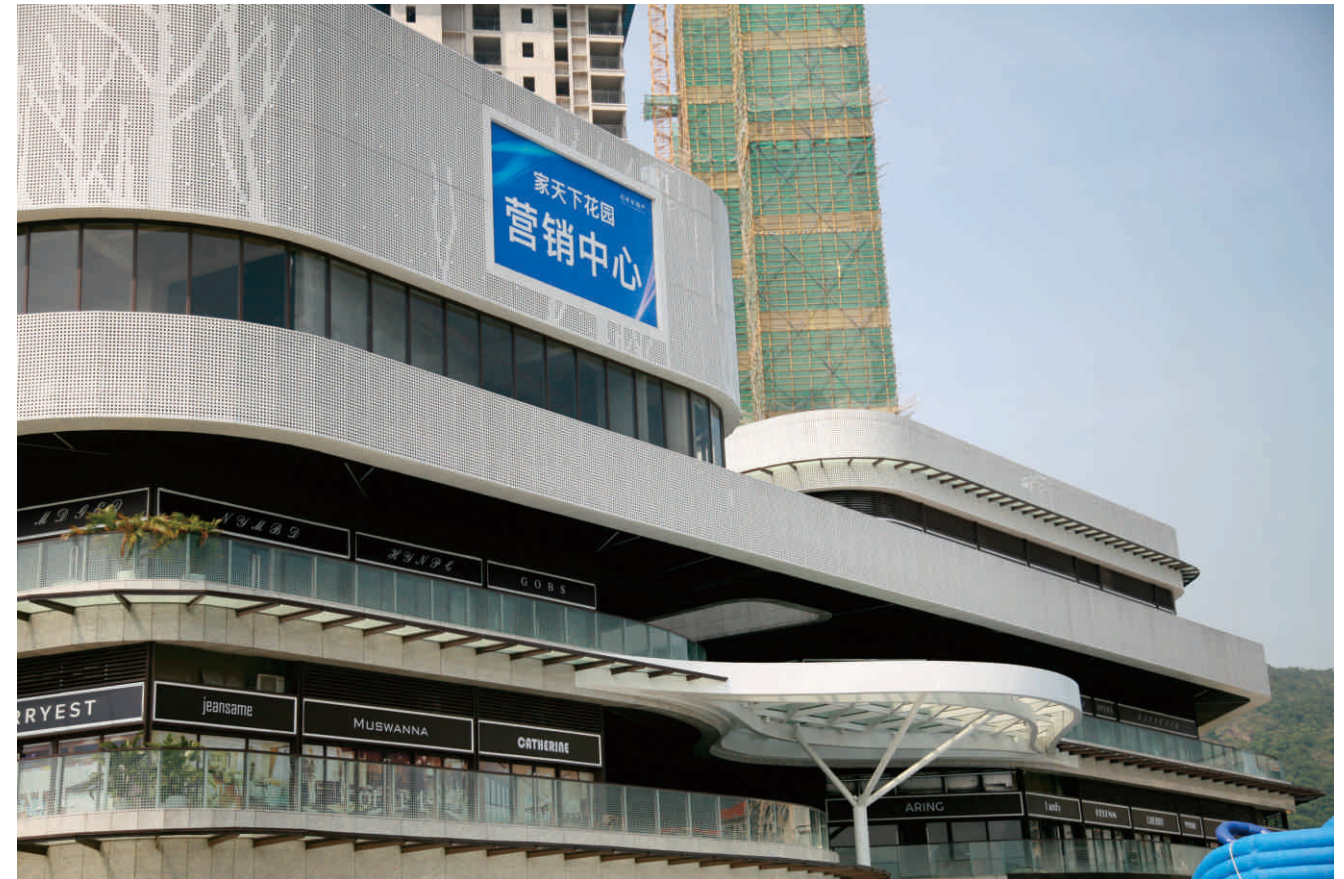
Xiamen Hongai Hospital interior



Galleria Art Center, Guangzhou



Shenzhen Kwai Chong Family World Square



Hangzhou International Convention Center



South China Sea Huangqi Jinbo Tiandi



Guangzhou Round Building



Guangzhou old city renovation air conditioning cover



Foshan Starport International Plaza



Guangzhou Haizhu Zhongye Wanbao Villa



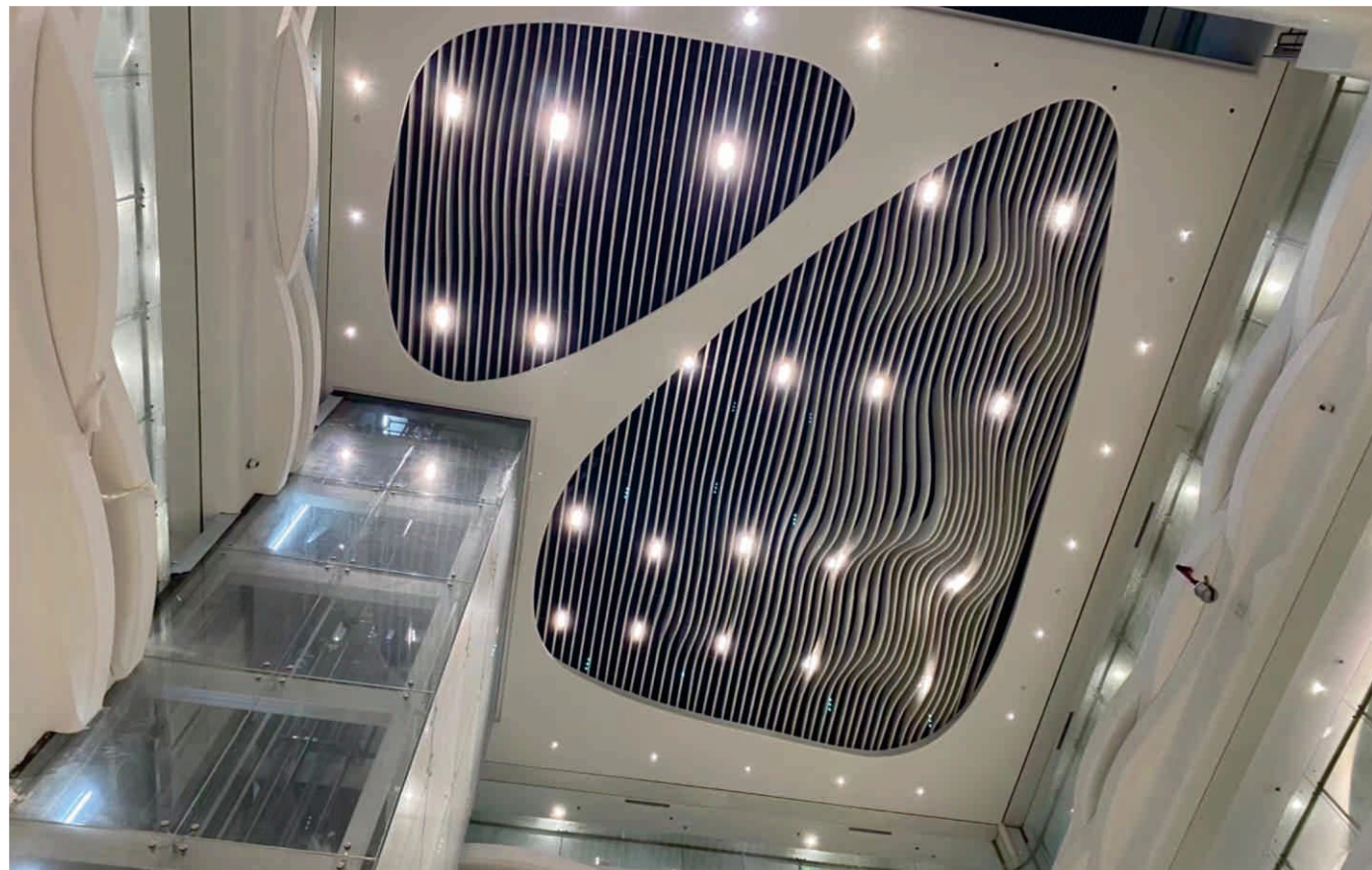
Porsche 4S store in Shanghai



Jiangxi Electric Power Conference Room

Guangzhou Opera House





Zhuhai Hengqin Nanguang Building



Nanhai Domestic Waste Incineration Power Plant





Guangzhou Beijing Road Guangbai Department Store  
(curved punched mesh plate)



## Recent engineering cases

- |   |   |   |
|---|---|---|
| Guangzhou Design Capital  | Guangdong CPPCC Office Building                                       | Shenzhen Futian Port Project  |
| Guangzhou Huaxing Optoelectronics   | Jinying Hotel Guangzhou   | Shenzhen Shekou Orchid Garden   |
| Guangzhou Cuiyuan Street old reform   | Guangzhou Zengcheng Sanxi Valley                                      | Shenzhen China Resources Sungang Vientiane Plaza                                |
| No. 6 Zhongshan Road, Guangzhou   | Guangzhou Hopson Central City   | Shenzhen Hezheng Xinyue Sales Center  |
| Guangzhou Airport Terminal 3  | Guangzhou Conghua Villa   | Shenzhen Guangming Station control room   |
| Guangzhou Yunxi Garden new construction project                                     | Guangzhou Water Testing Center  | Shenzhen Luyuan Phase III door, window and curtain wall project                 |
| GAC Toyota store  | Guangzhou Luogang Red Cross Hospital Phase II                         | Shenzhen bamboo forest area affordable housing                                  |
| Guangzhou Tianjian Changling Residence  | Guangzhou Blue Shield Group   | Shenzhen Hospital of Traditional Chinese Medicine                               |
| Guangzhou Panyu Mercedes-Benz Smart 4S store  | Guangzhou Huamei International Investment Group Headquarters Building | Shenzhen Shenyue Shangcheng   |
| Guangzhou Nansha land plot project  | Guangzhou Huadu Project   | Shenzhen International Holdings Limited   |
| Guangzhou Conghua Rhein Commercial Plaza  | Guangzhou Art Museum  | Shenzhen Shanghenglang Public Innovation Space Industrial Park                  |
| Guangdong Jingsheng Power Project   | Guangzhou Dashi Country Garden  | Shenzhen Liding Project   |
| Guangzhou Yungu dream building  | Guangbai Tianhe Zhongyi store shopping mall upgraded                  | Shenzhen Longgang District Street Urban Renewal 01 Plot                         |
| Guangzhou Ersha Island Villa  | Canton Fair Complex Phase IV Exhibition Hall Expansion Project        | Shenzhen Zhongke Valley Phase I   |
| Guangzhou Hitachi podium shop   | Shenzhen Metro Line 16 (Cultural Center Station)                      | Shenzhen Xili No. 2 Primary School  |
| Hilton Guangzhou  | Shenzhen Metro Line 16 (Pingshan Station)                             | Shenzhen International South China Logistics Center Phase I                     |
| Guangzhou Times Project   | Shenzhen Excellent Baiyi House  | Shenzhen Luohu Greater China  |
| Guangzhou Sunshine New City Tiandi  | Shenzhen Baiwangxin emergency engineering construction                | Shennan circuit semiconductor packaging substrate product manufacturing project |
| Guangzhou MCC Wanbao villa area   | Shenzhen Qinchengda Zhengda City and Park                             | Foshan Guihai Garden Villa  |
| Guangzhou Zhongchuanhui Saibao Creative Park  | Shenzhen Baolong Street South About Jigutian Kindergarten             | Foshan Jinmao Bay Rui Yuan  |
| Guangzhou Sun Yat-sen University Station (Metro Control Room)                       | Shenzhen Zhonghai Sunshine Oak Park                                   | Foshan Urban Rail Transit Line 3 Project Dongle Station                         |
| Garden landscape design of Guangzhou Pearl River Entrepreneurship Center            | Shenzhen Longgang District box project                                | Daliang Station of Foshan Urban Rail Transit Line 3 Project                     |
| Guangzhou Evergrande Yuelong Terrace  | Shenzhen Hongling Middle School                                       | Fengsha Station of Foshan Urban Rail Transit Line 3 Project                     |
| Guangzhou Times Cloud Come  | Shenzhen Buxin Middle School Renovation and Expansion Project         | Foshan Urban Rail Transit Line 3 Engineering College Station                    |
| Guangzhou Liwan District sanitation tool room                                       | Shenzhen Longfei Primary School                                       | Foshan Urban Rail Transit Line 3 Creative Park Station                          |
| Guangzhou Hongyue Group Automotive Cluster Building                                 | Shenzhen Art Museum   | Foshan Urban Rail Transit Line 3 Shunde University Station                      |
| Guangzhou Tencent headquarters building   | Shenzhen Library  | Foshan Urban Rail Transit Line 3 Gongju Rong North Station                      |
| Temporary ward of Luogang Park of the Affiliated Hospital of Sun Yat-sen University | Shenzhen street transformation  | Foshan Sanshui Qiaotou Community Transformation                                 |
| Guangzhou Beijing Road Old Renovation Phase II                                      | Shenzhen Digital China International Technology Industrial Park       | Foshan Xinghui Hanfu  |
|   |   | Foshan Power Supply Bureau Information Center Nancheng construction site        |
|   |   | Foshan Guanze Phase II Financial Center   |



## Recent engineering cases

Foshan Times Guanhua Commercial Plaza AB Area	Shaoguan Nanxiong Lingjiang No. 1	CCCC-2 Aviation Bureau
Foshan Nanhai Training Base	Social Security Administration	Yumingcheng Shuxiang No. 1 Sales Center
Foshan Nanhai Car Town	Five façade projects	Studio City Podium, Macau
Foshan Langrun Garden	Bakery	Yijia Building remodel
Foshan Yongjing Bay	Farmers wholesale market	Blue Bay Business Center 3 public parts are well renovated
Foshan Tian'an Hongji Garden – Cuizhu Villa	Dam head sealing balcony	Changsha Poly West Coast
Foshan Nanhai Shishan Middle School	High-speed rail new area exhibition service area	Country Garden Chang'an Phoenix Wisdom Valley Sales Department
Foshan Yigui Garden	Century Dashengxiong Laser No. 1 plant	Zhuhai Hengqin Nanguang Building
Foshan Rongyue Building	Zhuhai Smart City	Tanglang Mountain
Foshan Nanhai Qiming Everbright Flexible Electronics Industry Center	Jingwei curtain wall project	Zhongtai Mansion
Foshan Yuhu is still in the first phase	A famous city of mountains and rivers	Huzhou Project
Foshan Road is a great place	China State-owned Capital Venture Capital Building	Angola Airport
Shunde Fort Winery	Poly OCT Yunxi North Park	Wuhan Sunshine Xintiandi Hotel
Lin's Wood (Shunde Longjiang)	Huashan door and window project	Dongguan Guangchuang Concrete Co., Ltd
Baofa Beijiao Jinxing Phase III	Changsha Poly West Coast	Beijing Hongrui West Peak
Huizhou Yiji Lotte Pavilion	Jieyang Marriott Hotel	Export punched plate project
Huizhou Renhe Meidi Home	Roof gardens on the east and west sides of the financial center	Shaoguan High-tech Zone Tianzhuang Phase I
Huizhou Mingshang Garden Sales Department	Shantou Lifu	Changsha returnee town plot project
Huizhou Youshan Meidi Garden Phase II	Shanwei City Street Renovation	Curtain wall of the Seagull Sumitomo Innovation and Technology Center
District 1, Jiangmaohuafu, Huizhou	Shanwei Phoenix Hotel	Arc engineering
Huizhou Huaxing Optoelectronics high-generation module expansion project	Farmers wholesale market	Coastal Bridge Project
Guang Aluminum Yuanda Headquarters Economic Building	Three lighting roofs in Jiangmen	Leisure pavilion project
Wuzhou College	CEFC Office	Bose door and window project
Nanhua (Yiyang China Shipping Shipyard)	Nanning Lifu gas station	Nanjing Qixia Mountain Sales Department
The 8.6th generation semiconductor new display device production line project	Hong Mei Zheng Gate Tower	Chashan Town Solid Waste Treatment Center (R&D Building)
Wuzhifeng Project of Ji'an High-speed Railway New District	Longmen County Three Yellow Bearded Chicken Provincial Industrial Park	Zhongshan Gatehead
Chongqing Hushan Garden Phase VI Luolin Landscape Project	The beautiful city of Heyuan	Tibet Nyingchi Party School
Dongguan Navigation Building	Qinghai Huizhong Engineering Co., Ltd	Jieyang famous pearl one product
Dongguan station building	Fujian Silla whisky production item	Wuhan Xinchuangyuan plant
Pinghe County Domestic Waste Incineration Power Plant	Zhengzhou Clubhouse	Shaoguan Guangfu-CapitaLand Marketing Center
Heshan Junting Bay	Hong Kong Project	Schoolside apartments
	Yunfu Wanshi Tai Group Office Building	Zhongshan Xinchuang

## Recent engineering cases

Hopson Phase VI Segment A	Jiangxi Jiujiang maritime vessel
Dongguan Wanda Xpeng 4S store	3700 cubic LP liquefied gas carrier
Yangshuo Entrepreneurship Service Center Project	43-meter official boat
Henan Kaifeng Hetao Hospital	Matte Technology 200 passenger ship
Jiangzhong Hotel	38-meter official boat
Pinghu Office	500 passenger cruise
Leading projects	690-passenger passenger ship
Shilong detection project	Everbright 500 passenger cruise
Dongguan Excellent Yueshan Lake Garden	820 passenger ships
Dongguan Zhuo for the city square – McDonald's transformation	Dredger 6000 cubic meters
Zhonghai sun canopy	Wuhan 816 ship
Yangli aluminum office decoration	Nanhua-Yiyang Zhonghai Shipyard
Health Yuan Haibin Pharmaceutical	Zhongshan Junan 44.8m boat
Shaanxi Ankang Jintaishan River Inkstone Project	Whampoa Wenchong H5588 boat
Utopia waterproof charging pile project	50-meter-class Yangtze River A-type navigation vessel
Heyuan Zijin gas station	Hangzhou 30m passenger boat
Beijing Yizhuang Longhu Tianjie Project	Cheung Chau Island H1153 boat
Jinjiang Cultural Square	Whampoa H1198 boat
Huida Building	A boat window bucket
Wenzhou Ruian Dongshan sales department	Wuhan Tianyong (1221 boats)
Seven parts of sunshine	Hubei ship (Hubei Sea Patrol 0722) window bucket
Chengcheng Da Anhua Cloud Residence	Wuhan Hua Post (Jiangxi 750 emergency boat)
Quanzhou Muli Wood Exterior Project	Hubei ship (29m public security boat)
Xiamen Ligao Dagang Yulongzhuang (Phase I)	Hubei Ship (Crystal)
Zhuhai Workers' Cultural Palace	Wuhan Hua Post (335 passengers)
	Algerian RoPa Ro-Ro

### Warships, cruise ships

Qingdao ship interior  
 Changsha ship interior  
 Heilongjiang ship interior  
 Inside the Whampoa ship  
 European cruise ship interior

More engineering cases are constantly being updated...

# Partial list of projects

Beijing	Foshan Power Supply Bureau Scientific and Technological Achievements Incubation Project	Dongguan Sixth People's Hospital	Fujian Shouning Mingxi International Apartment
Airport	Xiqiao Power Station	Dongguan Qishi Jingbin Auto City	Fuqing Shouxi gas station
Ping An International Financial Center	Nanhai domestic incineration waste-to-energy plant	Dongguan Lianke International Information Industry Scientific Research Center	Fuqing Excellence Hotel
Oriental Home Transformation	Shunde Shunkong Thermolectric Power Plant	Dongguan Humen Ziyuan Education Base	Fuzhou Software Park animation game industry base
Shanghai	Foshan Fourth People's Hospital	Dongguan Songshan Hubei District School	Fuzhou Shanya Building
Nuclear Power Technology Industry R&D Center	Foshan Hospital of Traditional Chinese Medicine	Dongguan Changping Country Garden Rose New Village	Fuzhou Children's Library
Guangdong Province	Shunde Yingxin City Square	Dongguan Hanxi Water Theater	Jiangsu Province
Guangdong Southern Power Grid project aluminum plate	Shunde Yili famous car showroom	Dongguan Qiyun Garden	Huai'an waste-to-energy plant
Guangzhou Nansha Jinmao	Nanhai Poly and Xinyuan	Taishan Culture and Art Center	Songyang Station House
Guangzhou Power Supply Bureau Metering Center Comprehensive Exhibition Hall	Huangqi Jinbo Tiandi	Zhongshan City Central Plaza	Nanjing Jincheng Group
Guangzhou Chen Tougang parking lot	Gaoming medical treatment plant	The main plant of Kaiping Solid Waste Comprehensive Treatment Center	Nanjing Xianlin Fire Station
Guangzhou Water Testing Center	Luocun Jinmao Bay	Qingyuan Poly	Suzhou University of Science and Technology
Guangzhou MCC Wanbao villa area	Jinsha Island Golden Platinum World	Zhanjiang People's Court	Jiangxi Province
Guangzhou Nansha Jingchi International Club	Nanhai Aoyuan Qingke Exhibition Hall	Shantou South Australia Power Grid Exhibition Hall	Nanchang Rail Transit Line 4 Phase I
Guangzhou Galleria Art Center	Shenzhen Qianhai DreamWorks	Meizhou People's Hospital	Ji'an Workers' Cultural Palace
GF Securities Building	Shenzhen Huaxing Optoelectronics	Meizhou Poly Park	Ji'an High-speed Railway New Area Five Finger Peak Project
Guangzhou Huaxing Optoelectronics	Shenzhen Montnets Technology Building	Meizhou Aoyuan Tianyue Bay	Post Ji'an Branch Business Complex Building
Guangzhou Liangming Primary School	Shenzhen Mingde Experimental School	Huizhou Xinghe Dandi Garden	Pingxiang Future City Hotel
Guangzhou Feixiangjia Children's Growth Center Paradise	Shenzhen Rongyue Building	Fujian Province	Conference room of Jiangxi Electric Power Company
Guangzhou Panyu Local Taxation Bureau	Shenzhen Qianhai E Station through the administrative service center	Jinjiang waste incineration power generation project	Zhejiang Province
Guangzhou Luhu Golf and Country Club	Shenzhen Guanze Financial Center	Pinghe County waste incineration power generation project	Hangzhou Bona Cinema
Guangzhou Panyu Jewelry Exhibition Center	Shenzhen Yiling Golf Club	Fuzhou Hongmiaoling Waste Incineration Plant (Phase III)	Zhangjiagang Station of Shanghai-Tong Railway
Guangzhou Panyu Dashi Country Garden	Shenzhen Aoyuan Residence	Fuzhou Binhai Jinmao	Hangzhou Gemdale
Guangzhou Jiche Jinbo Plaza	Shenzhen Zhonghai Sunshine Oak Park Project	Xiamen Guanyinshan Power Grid	Hangzhou Police College
Guangdong Quality Inspection Institute Shunde base	Shenzhen Bay One Plaza	Xiamen Palm City	Hangzhou Liyuan Building
Haizhu Health Industry Town	Shenzhen Fuhai Street Environmental Protection Remediation Project	Xiamen Hongai Hospital	Hangzhou Taidi goes north
Guangzhou Fangyuan Building	Shenzhen Longfei Primary School	Longyan Care Fujian Western Han Opera Non-genetic Inheritance Protection Venue	Hangzhou Taidi biological equipment
Tuhua Village Renovation Project	Dongguan Liaobu Wenchang Primary School	Longyan Financial Center	Hangzhou Bay
Guangzhou Sanqi Interactive Entertainment Building	Dongguan Chashan Town Solid Waste Treatment Center	Longyan Silla Whiskey Distillery	Hangzhou Property Building
		Quanzhou First People's Hospital	New commercial buildings were built in Yangjia Village, Hangzhou
		Ningde Culture and Art Center	Hangzhou Zhuantang Xiangshan Primary School
		Fujian Archives	Sheraton Huzhou Hotel
		Fujian Radio and Television Center	Jiaying Stadium

# Partial list of projects

Ningbo Jiangdong store	Fuxing City	Xinjiang Medical University	Shanxi Province
Ningbo INtime Department Store	Guangxi Autonomous Region	Karamay Private Science and Technology Park	Shanxi Coal Trading Center
Qianjiang International Times Square	Liuzhou Gymnasium	Gansu Province	Taiyuan Sports Center
Champavira clothing production plant	Yangshuo County Entrepreneurship Service Center	Gansu Electric Power Company	Hebei Province
Wenzhou Maternal and Child Activity Center	Nanning Aoyuan Hande Tangyue Mansion	Gansu Radio and Television Center	With the German Olympic Sports Center
Wenzhou International Hwaseong	Guigang Zhongding Riverside City	Gansu Guanghe Convention and Exhibition Center	Shijiazhuang Railway Station
Tongrun Ginza	Wuzhou Sanqi City Parkson area transformation	Gansu Supreme People's Court	Henan Province
Zhejiang News talent apartment building	Jinliu Bridge, Liuzhou	Gansu Provincial Higher People's Procuratorate	Nanyang waste-to-energy plant
Zhuji Xiongfeng Supermarket	Hunan Province	The hall of the bathing club of the Triumphal Palace	Nanyang Orthopedic Hospital
Beilun Fubang Plaza	Xiangya Hospital	Agricultural Bank of China Lanzhou Branch	Liaoning Province
Dieshiqiao Home Textile Exhibition Hall	Shaoyang step by step to new world	Bank of China Lanzhou Central Sub-branch	Dalian International Conference Center
Parkway Building, Anji County	Zhuzhou Jinmao Rumaoyuan	Institute of Biology	Guizhou Province
Sichuan Province	Central	Lanzhou Municipal Party Committee Computer Room	Guizhou Panzhou Moon Zhuang
Chengdu East Railway Station	Academy of Environmental Protection	Lanzhou West Institute	Guiyang China Railway Project
North West Grand Hotel	Liling Land Bureau	Lanzhou China Merchants Bank	Hainan
Chengdu Dafeng Middle School	Hunan World Trade Exhibition Hall	Lanzhou Zhongbang	Sanya Jinmao Life Demonstration Zone
Chengdu Oriental Film Theater	Changsha mobile business hall	Northwest Normal College	Hainan Boao Smart Grid Interactive Experience Center
Chengdu Xinzhu shares	Yunnan Province	Shaanxi Province	Haining active distribution network
Chengmianle Railway Shuangliu Airport Station	Cuiti Creek, Yulong Bay, Kunming	Ankang Jintaishan River Inkstone	Hong Kong
Hengchuang Shudu Square	Gu Kunming Lan Yuntai	OCT Xi'an	Parklane Avenue
Chengdu OCT Park Happy Valley	Kunming Central Golden Seat	Xi'an Children's Comprehensive Service Center	Changheng Village
Panzhuhua Jinou Square	Office building of Yunnan Provincial Party Committee	Zi County Chang'an	Macau
Hubei Province	Kunming Colorful Jewelry Museum	Qinghai Province	Grand Venetian Hotel
Xiangyang Insect Museum	Meichen Department Store	Qinghai-Tibet Railway Company Xining Comprehensive Dispatching Building	Qatar
Wuhan Evergreen School	Hongta Group	Qinghai Children's Hospital	Doha Science and Technology Office Building
Wuhan High-speed Railway Dispatching Institute	Fuyuan Xiongda Coal Mine Clubhouse	Qinghai Salt Lake Industry Co., Ltd	Singapore
City College of Wuhan University of Science and Technology	Xinjiang Autonomous Region	Tianjin City	Kuala Lumpur Helicopter Tower
Wuhan Tiandi Club Swimming Pool	Kuitun Tianbai Shopping Center	Tianjin Jubao	Malaysia
Wuhan Yibao Hotel	Urumqi Cultural Center	Tianjin 08 lane	Airport Tower
Jianguo Hotel Wuhan Tieqiao	Kunyu City Cultural Construction Project	Shandong Province	Australia
Wuhan East Lake Conference Center	Xinjiang Ahaqi County Rehabilitation Center	Qingdao Institute of Optoelectronics	The Alton Project
Wuhan Earthquake Bureau		Qingdao Jiakai City Times City	
Xiangfan Wanda Plaza			

